

Europäisches Patentamt
 European Patent Office
 Office européen des brevets



(11) **EP 0 969 405 A1**

(12) **EUROPEAN PATENT APPLICATION**

(43) Date of publication: **05.01.2000 Bulletin 2000/01**
 (51) Int. Cl.⁷: **G06K 11/18, A63F 9/22**
 (21) Application number: **99202909.0**
 (22) Date of filing: **01.08.1995**

(84) Designated Contracting States:
DE FR GB
 (30) Priority: **02.08.1994 JP 20146594**
 (62) Document number(s) of the earlier application(s) in
 accordance with Art. 76 EPC:
95305368.3 / 0 695 566
 (71) Applicant: **NINTENDO CO. LIMITED**
Higashiyama-ku Kyoto (JP)
 (72) Inventors:
 • **Yokoi, Gunpei**
Higashiyama-ku, Kyoto (JP)

• **Sugino, Kenichi**
Higashiyama-ku, Kyoto (JP)
 (74) Representative:
Jones, David Colin et al
Withers & Rogers,
Goldings House
2 Hays Lane
London SE1 2HW (GB)

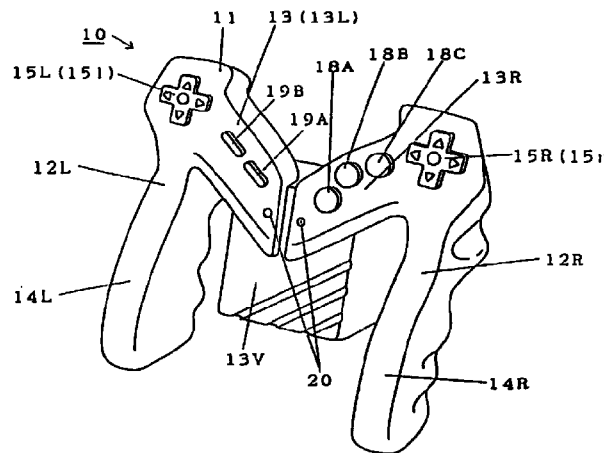
Remarks:
 This application was filed on 06 - 09 - 1999 as a
 divisional application to the application mentioned
 under INID code 62.

(54) **Manipulator for game machine**

(57) A manipulator (10) includes a housing (11) which consists of right and left handles (12R, 12L), and a coupling (13) for coupling them. The both handles are formed with grips (14R, 14L), and direction instructing switches (15R, 15L) for instructing the character moving direction, being disposed in the thumb position area of

the player in the upper parts of the grips. A step (d) is formed between the operating regions for forming direction instructing switches, and grips, and the thumb of the player draws a spontaneous arc along the step.

FIG.1



EP 0 969 405 A1

Description

BACKGROUND OF THE INVENTION

Field of the invention

[0001] The present invention relates to a manipulator for game machine, and more particularly to a manipulator for game machine which is used in a television game machine, a video game machine with display, or the like to which a cartridge storing a game program is detachably attached and which executes the process for the game by reading out the game program from the cartridge.

Description of the prior arts

[0002] Manipulators for game machine (game controllers) to be used in television game or the like known hitherto include the joy stick type as disclosed in the Japanese Laid-open patent No. 58-225,515 (corresponding to USP No. 4,414,438; hereinafter called prior art 1), and the joy pad type as disclosed in the Japanese Laid-open Utility Model No. 4-42,029 (corresponding to USP No. 5,207,426; hereinafter called prior art 2). In prior art 1, the main body housing is held by a non-dexterous hand, and a control rod (handle) is held by the dexterous hand, and by tilting the wrist in this state, the moving direction of the character is instructed. In prior art 2, on a flat housing that can be held by both hands, a plurality of operation switches for direction instruction and action instruction are arranged.

[0003] In prior art 1, in order to manipulate the control rod by tilting the wrist, the main body must be always held stably. However, for use in the game, it is necessary to manipulate action instructing switches for instructing various actions, and usually these switches are provided at the main body side, and are hence manipulated by the hand holding the main body. It is therefore difficult to hold the main body stably while manipulating the action instructing switches, and it was hard to manipulate. If the action instructing switches are provided in the control rod, since the direction is instructed by tilting the wrist, the hand is fatigued after a long use, and the controllability was poor.

[0004] In prior art 2, it is designed to be held by both hands, and the operation switches can be manipulating without changing the palm holding state, and the problems in prior art 1 were solved and stable manipulation was possible. However, since the shape is flat, it has few positions to be caught by hand or finger, and it often slips out of hands during operation, or the holding position may be deviated to cause deviation in the configuration of the switches and fingers, and misoperations are likely to occur, and it was necessary to hold the manipulator correctly on every occasion of misoperation by viewing, and correct the configuration of switches and fingers. As a result, a continuously running game

was interrupted, and pleasant feel of manipulation was not obtained. In particular, when used in the game machine with a goggle type display unit, to correct the position deviation from fingers by viewing the manipulator, the game machine with display unit must be dismounted from the head, which was very bothersome.

[0005] In a controller disclosed in the Japanese Laid-open Utility Model No. 4-104,893 (hereinafter called prior art 3), since a grip is formed in the manipulator of prior art 2, it does not slip off during operation or the holding position will not be deviated. In prior art 3, however, since the manipulation plane on which operation switches are formed projects ahead (to the player side) of the grip, the player must use by warping the thumb (in other words, by keeping the thumb root always in tense state), the thumb is fatigued and cannot withstand a long use. Besides, since the root of the thumb is always in tense state, the moving range of the thumb is limited, and the feel of manipulation is not pleasant.

SUMMARY OF THE INVENTION

[0006] Therefore, a principal object of the present invention is to provide a novel manipulator for game machine.

[0007] Another object of the present invention is to provide a manipulator having a good operability.

[0008] A manipulator for game machine according to the present invention comprises a first grip selected in a bar shape to be held by a hand of the player, a second grip selected in a bar shape to be held by the other hand of the player, a first operating region located in the thumb area of the player in the upper portion of the first grip, formed in a step so as to be lower than the thumb root position of the player of the first grip, a second operating region located in the thumb area of the player in the upper portion of the second grip, formed in a step so as to be lower than the thumb root position of the player of the second grip, first direction instructing means provided in the first operating region, second direction instructing means provided in the second operating region, and coupling means for coupling the first grip and second grip in a confronting state.

[0009] The player holds the first grip by one hand, and holds the second grip by the other hand. In the grip holding state, the thumb of the player draws a spontaneous arc along the step formed between the grip and the operating region, and is positioned on the first and second operating regions.

[0010] According to the present invention, the player holds in the grip catching state, and hence can hold more securely as compared with the manipulator in a flat shape held by both palms. It is further structured to be caught easily by hand and fingers, and dropping of the manipulator during use or deviation of holding position are avoided, thereby allowing to continue to manipulate stably without having to look at the hands or

change the holding position correctly, and misoperation due to deviation of configuration of switches and fingers can be prevented.

[0011] Moreover, between the grip and operating region, a step is formed so as to be lower than the thumb root position of the player in the grip, so that the thumb draws a spontaneous arc along the step. As a result, any excessive load is not applied to the thumb, and the fatigue is less if used for a long time.

[0012] Furthermore, according to a fourth aspect of the invention, the front, rear, left and right directions, and upper, lower, right slant and left slant directions can be instructed, so that directions can be instructed in a three-dimensional space.

[0013] The above described objects and other objects, features, aspects and advantages of the present invention will become more apparent from the following detailed description of the present invention when taken in conjunction with the accompanying drawings.

BRIEF DESCRIPTION OF THE DRAWINGS

[0014]

Fig. 1 is a front perspective view of a manipulator for game machine in an embodiment of the invention;

Fig. 2 is a rear perspective view of the embodiment in Fig. 1;

Fig. 3 is a concept diagram showing four moving directions, front, rear, left and right;

Fig. 4 is a concept diagram showing four moving directions, up, down, right slant and left slant;

Fig. 5 is a perspective view showing an operation state as seen from the front side in Fig. 1;

Fig. 6 is a perspective view showing an operation state as seen from the rear side in Fig. 1;

Fig. 7 is a diagram showing an operation state as seen from side in Fig. 1;

Fig. 8 is a front perspective view of a manipulator for game machine in other embodiment of the invention;

Fig. 9 is a rear perspective view of the embodiment in Fig. 8; and

Fig. 10 is a side view of the embodiment in Fig. 8.

DETAILED DESCRIPTION OF THE PREFERRED EMBODIMENTS

[0015] Fig. 1 and Fig. 2 are perspective views showing a manipulator for game machine in an embodiment of the invention, and specifically Fig. 1 is a perspective view from the front side, and Fig. 2 is a perspective view from the rear side.

[0016] In the diagrams, a manipulator for game machine (hereinafter called controller) 10 contains a housing 11. The housing 11 is roughly composed of a

right handle 12R, a left handle 12L, and a coupling 13 for coupling them. Inside the housing 11 is accommodated a board in a proper shape (not shown) in which desired conductive circuit patterns are formed by printed wiring or the like.

[0017] The right handle 12R and left handle 12L respectively comprise grips 14R, 14L to be held by the middle, ring and little fingers of the player, and a direction instructing switch for right hand 15R and a direction instructing switch for left hand 15L for instructing the moving direction of characters (hero and others) of the game, being disposed in the thumb position area of the player in the upper portions of the grips 14R, 14L. The direction instructing switch for right hand 15R comprises, for example, a cross key top 15r capable of instructing four orthogonal directions, that is, front, rear, left and right directions shown in Fig. 3, and further comprises four pressing pads corresponding to the four directions. The direction instructing switch for left hand 15L comprises, for example, a cross key top 15l capable of instructing four directions, that is, upper, lower, right slant and left slant directions shown in Fig. 4, and further comprises four pressing pads corresponding to the four directions.

[0018] The grips 14R, 14L have concave and convex parts to be matched with the fingers of the player when held, and a pleasant feel of holding is realized. In the index finger position areas of the player in the upper portions of the rear side of the grips 14R, 14L (in other words, the rear sides of the locations of the direction instructing means for right hand 15R and direction instructing means for left hand 15L), action instructing switches 16R, 16L (see Fig. 2) are formed. These action instruction switches 16R, 16L differ with the game program, and are used for instructing actions of characters such as "run" and "jump" except for the moving direction. In the boundary areas of the action instructing switches 16R, 16L and grips 14R, 14L, protrusions 17R, 17L are formed, on which the index fingers can be placed when not manipulating the action instructing switches 16R, 16L, and they also function as the guides for defining the moving direction of the index fingers at the time of manipulation.

[0019] The coupling 13 further comprises a power source unit 13V, a right coupling 13R for coupling the power source unit 13V and right handle 12R, and a left coupling 13L for coupling the power source unit 13V and left handle 12L. A dry cell or a battery is placed in the power source unit 13V, and when a dry cell is used, a battery lid is formed at proper position. When a rechargeable battery is used, an external input terminal for connecting with a commercial AC power source detachably or firmly with a cord or the like is exposed at a position not disturbing the manipulation of the player (for example, in the bottom of the power source unit 13V), and is covered with a lid or the like if necessary. It may be also constituted so that both dry cell and battery can be used.

[0020] The AC adapter for converting the commercial AC power source into DC may be either provided externally by using a cord, or incorporated in the power source unit 13V. When it is constituted to supply current through a cord by externally attaching an AC adapter, the overall weight of the controller 10 can be reduced, and hence the fatigue of the arms in long use can be alleviated. Or, when using by putting on a table or the like or the weight may be ignored, the overall weight of the controller 10 may be increased by incorporating the AC adapter, and hence the center of gravity is stabilized to prevent shaking during manipulation, so that a stable feel of manipulation may be realized.

[0021] In the right coupling 13R, switches 18A, 18B, 18C are formed so as to instruct three actions, different from those of the action instructing switches 16R, 16L, such as "punch," "kick" and "throw." In the left coupling 13L, a start switch 19A for instructing to start the game, and a select switch 19B for selecting the games are formed.

[0022] In this embodiment, in order that the switches 18A, 18B, 18C, 19A, and 19B may be arranged within the accessible range of the thumbs, the coupling 13 is coupled near the upper end of the handle 12 in which the direction instructing switch 15 is formed, but as far as the switches 18A, 18B, 18C, 19A, and 19B may be arranged within the accessible range of the thumbs, it is not always necessary to coupling the coupling 13 near the upper end of the handle 12. Otherwise, when the operating region for forming the direction instructing switch 15 is wide and the switches 18A, 18B, 18C, 19A, and 19B are arranged in this area, the coupling position of the coupling 13 with the handle 12 is not particularly limited.

[0023] The direction instructing switch for right hand 15R and direction instructing switch for left hand 15L comprise cross key tops 15r, 15l as mentioned above. The direction instructing switches including these key tops 15r, 15l are disclosed, for example, in the Japanese Utility Model Publication No. 3-13,951 (USP No. 4,687,200). That is, in the lower parts of the key tops 15r, 15l, rubber contacts (not shown) forming four contacts are respectively arranged, and each rubber contact is composed on a board (not shown) in which contact circuits are formed. By pressing any one of a total of eight pressing pads of the key tops 15r and 15l, the four contacts each or eight contacts in all and the contact circuits are electrically connected, and a signal instructing any one or combined direction of eight directions of front, rear, left, right, upper, lower, right slant and left slant directions is picked up, thereby acting as a switch for instructing a three-dimensional direction. The key tops 15r, 15l are put in the housing 11 with the pressing pads exposed, and the board is placed near the bottom of the key tops 15r, 15l in the housing 11.

[0024] Incidentally, if the character manipulated by the controller 10 of the invention is an airplane as shown in Figs. 3 and 4, its three-dimensional move instructing

direction consists of eight directions as mentioned above, but depending on the character in question, the three-dimensional move instructing direction is composed of different combinations, and the combinations are controlled by the game program. As the three-dimensional move instructing directions aside from those mentioned above may include, for example in a human character, eight directions, front, rear, left, right, jump, squat, face right, and face left.

[0025] The switches 16R, 16L, 18A, 18B, 18C, 19A, 19B are respectively composed of key tops 16r, 16l, 18a, 18b, 18c, 19a, 19b stored with their pressing pads exposed from the housing 11, rubber contacts (not shown) disposed in the lower part of each key top, and a board (not shown) on which rubber contacts are placed and contact circuits are formed.

[0026] Fig. 5 and Fig. 6 are diagrams showing the operation state of the controller 10 of the invention. The player holds the right grip 14R and left grip 14L by the right hand and left hand, respectively. At this time, the middle, ring and little fingers of the player are curved along the per-formed convex and concave parts, so that the player can hold the controller 10 firmly. The index fingers are positioned above the protrusions 17R, 17L formed in the upper parts of the grips 14R, 14L, and are used for manipulating the action instructing switches 16R, 16L. Usually, the index fingers rest on the protrusions 17R, 17L, and when manipulating the action instructing switches 16R, 16L, they are moved along the protrusions 17R, 17L. The thumbs are located on the key tops 15r, 15l while gripping the grips 14R, 14L, and presses down the pressing parts by tilting in the desired input direction. As a result, the corresponding contact is connected, and a desired direction instructing signal (pulse signal) is picked up. Besides, by slightly shifting the right thumb to the inside, the action instructing switches 18A, 18B, 18C can be pressed.

[0027] Meanwhile, as shown in Fig. 7, in the controller 10 of the invention, since a step d is provided between the grip 14 and the operating region forming the direction instructing switch 15, when the player holds the controller 10, the thumb draws a spontaneous arc along the step d. Accordingly, the thumb is free to move, without being warped, loaded with an excessive force, or kept always in tense state, so that fatigue is less if used for a long time.

[0028] More preferably, the interval or opening of the grips 14R, 14L may be freely adjustable depending on the individual difference of the player, by providing a shaft 20 penetrating from the surface of the right coupling 13R and left coupling 13L to the back of the power source unit 13V. Or, relating to the right coupling 13R and left coupling 13L, a gear may be provided to engage with each other, and the right and left sides may be opened or closed simultaneously, or the opening angle may be adjustable in multiple steps.

[0029] Fig. 8 and Fig. 9 are diagrams showing a manipulator for game machine in other embodiment of

the invention, and specifically Fig. 8 is a perspective view seen from the surface, and Fig. 9 is a perspective view seen from the back side.

[0030] A controller 50 in the embodiment in Fig. 8 comprises a housing 51, same as the controller 10 in the embodiment in Fig. 1. The housing 51 is roughly composed of a right handle 52R, a left handle 52L, and a coupling 53 for coupling them. Inside the housing 51 is accommodated a board in a proper shape (not shown) in which desired conductive circuit patterns are formed by printed wiring or the like.

[0031] The right handle 52R and left handle 52L respectively comprise grips 54R, 54L, direction instructing switch for right hand 55R, and direction instructing switch for left hand 55L, and the direction instructing switches 55R and 55L further comprise cross key tops 55r, 55l.

[0032] The grips 54R, 54L have convex and concave parts to match with the fingers of the player, and action instructing switches 56R, 56L are formed in the index finger position areas of the player in the upper parts of the back side of the grips 54R, 54L. In the embodiment in Fig. 1, the index fingers are positioned by forming protrusions 17R, 17L in the boundary parts of the grips 14R, 14L and action instructing switches 16R, 16L, but in the embodiment in Fig. 8, the forming regions of the action instructing switches 56R, 56L are inclined by a certain angle to the grips 54R, 54L and direction instructing switches 55R, 55L, thereby defining the index fingers so as not to deviate in the direction toward the grips 54R, 54L, and the index fingers are further positioned by forming a recess around the action instructing switches 56R, 56L.

[0033] The coupling 53 comprises a power source unit 53V, a right coupling 53R, and a left coupling 53L. In the embodiment in Fig. 8, by widening the operating regions for forming the direction instructing switches 55R, 55L, they serve also as the right coupling 53R and left coupling 53L. The power source unit 53V comprises a power source case 60 detachable from the housing 51, and a base 61 of the housing 51 side for detaching or attaching the power source case 60. In the power source case 60, a dry cell or a rechargeable battery is placed. In the base 61, an engaging pawl 62 and an engaging bump 63 are formed for engaging and holding the power source case 60. By contrast, at the power source case 60 side, an engaging groove 64 corresponding to the engaging pawl 62, and an engaging recess (not shown) to be engaged with the engaging bump 63 are formed.

[0034] A terminal 70 for electrically connecting with the power source case 60 is formed in the base 61, and also a terminal 71 for connecting the power cord when not attaching and using the power source case 60 is formed, so that the player may attach and use the power source case 60, or use the power cord by detaching it, as desired. When the power source case 60 is attached, the terminal 71 for power source cord is covered with

the power source case 60 so as not to be exposed outside.

[0035] In the right coupling 53R, action instructing switches 58A, 58B for instructing actions different from the action instructing switches 56R, 56L are formed, and the left coupling 53L forms a start switch 59A and a select switch 59B. The direction instructing switches 55R, 55L, the action instructing switches 56R, 56L, 58A, 58B, start switch 59A and select switch 59B are composed of, same as in the embodiment in Fig. 1, key tops 53r, 53l, 56r, 56l, 58a, 58b, 59a, 59b, rubber contacts (not shown) formed in the lower part of each key top, and the board (not shown) on which rubber contacts are placed and contact circuits are formed.

[0036] Moreover, as shown in Fig. 10, also in the embodiment in Fig. 8, a step d is formed between the grip 54 and the operating region for forming the direction instructing switch 55. Accordingly, when the player holds the controller 50, the thumb draws a spontaneous arc along the step d, and is free to move without being warped, applied with an excessive load, or kept always in a tense state, so that the fatigue is less if used for a long time.

[0037] In the foregoing embodiments of the invention, the move direction instructions in a three-dimensional game are mentioned, but in a game enough with two-dimensional direction instructions only not requiring three-dimensional direction instructions, the moving direction of the object character may be instructed in one cross key, and the direction of the elements accompanying the character may be instructed in the other cross key. For example, in a game using soldiers as characters, the soldier moving direction is instructed by one cross key, and the firearm direction may be instructed by the other cross key. Furthermore, in an object driven independently in the right and left driving wheels such as war tank, the left drive wheel may be manipulated by the direction instructing switch for left hand 15L (55L), and the right drive wheel may be manipulated by the direction instructing switch for right hand 15R (55R).

[0038] Although the present invention has been described and illustrated in detail, it is clearly understood that the same is by way of illustration and example only and is not to be taken by way of limitation, the spirit and scope of the present invention being limited only by the terms of the appended claims.

Claims

1. A game controller (10,50) which is adapted to be used with a video game machine and comprises a first operating portion (15L, 55L) provided in a first operating region; a second operating portion (15R, 55R) provided in a second operating region; a first handle (14L, 54L) formed in a manner projecting in use from a lower portion of said first operating region toward the front of a player; a second handle

(14R, 54R) formed in a manner projecting in use from a lower portion of said second operating region toward the front of the player; wherein said first handle and said second handle are grippable by left and right hand palms of the player, said first operating portion and said second operating portion being arranged for operation by left and right hand thumbs, and at least one of said first and second operating portions being arranged for designating a direction in movement of an object of a game by player's operation, characterised in that the controller further comprises a housing (11,51) on which said first operating region and said second operating region are integrally provided laterally adjacent to each other in the same plane and in that said first handle and said second handle have respective front surfaces each inclined relative to an associated one of said first and second operating regions.

2. A game controller according to claim 1 characterised in that said first operating region and said second operating region are formed to be lowered in relation to portions at which the thumb roots are positioned on said first handle and said second handle.
3. A game controller (10, 50) which is adapted to be used with a video game machine and comprises a first operating portion (15L, 55L) provided in a first operating region; a second operating portion (15R, 55R) provided in a second operating region; a first handle (14L, 54L) formed in a manner projecting in use from a lower portion of said first operating region toward the front of a player; a second handle (14R, 54R) formed in a manner projecting in use from a lower portion of said second operating region toward the front of the player; wherein said first handle and said second handle are grippable by left and right hand palms of the player, said first operating portion and said second operating being arranged for operation by left and right hand thumbs, and at least one of said first and second operating portions being arranged for designating a direction in movement of an object of a game by player's operation, characterised in that the controller further comprises a housing (11, 51) on which said first operating region and said second operating region are integrally provided laterally adjacent to each other in the same plane and that a plane including respective upper surfaces of said first handle and said second handle and a plane including said first operating region and said second operating region are different from each other.
4. A manipulator for game machine to be used in a video game machine to which a cartridge storing a game program is attached, and which executes process for a game by reading out the game pro-

gram from the cartridge, comprising:

- a first grip selected in a bar shape to be held by a hand of the player;
 - a second grip selected in a bar shape to be held by the other hand of the player;
 - a first operating region located in the thumb area of the player in the upper portion of the first grip, formed in a step so as to be lower than the thumb root position of the player of the first grip;
 - a second operating region located in the thumb area of the player in the upper portion of the second grip, formed in a step so as to be lower than the thumb root position of the player of the second grip;
 - first direction instructing means provided in the first operating region;
 - second direction instructing means provided in the second operating region; and
 - coupling means for coupling the first grip and second grip in a confronting state.
5. A manipulator for game machine of claim 4, wherein at least one of the first grip and second grip further comprises action instructing means, in its upper portion, located at the index finger position of one hand of the player nearly at the rear position of at least one of the first operating region and second operating region.
 6. A manipulator for game machine of claim 5, wherein a protrusion for positioning the index finger of the player is formed near the action instructing means, in either the first grip or the second grip provided with the action instructing means.
 7. A manipulator for game machine of claim 4, wherein the first direction instructing means and second direction instructing means respectively contain four pressing pads, and by pressing the individual pressing pads,
 - the first direction instructing means instructs the front, rear, left and right directions,
 - the second direction instructing means instructs upper, lower, right slant and left slant directions, and thereby
 - three-dimensional directions can be instructed.
 8. A manipulator for game machine of claim 4, wherein the action instruction means includes
 - first action instructing means formed in the first grip, and
 - second action instructing means formed in the second grip.

9. A manipulator for game machine of claim 4,
wherein the coupling means includes third action
instructing means formed within the accessible
range of the thumb of one hand, in the state of the
player holding both first grip and second grip. 5

10

15

20

25

30

35

40

45

50

55

FIG.1

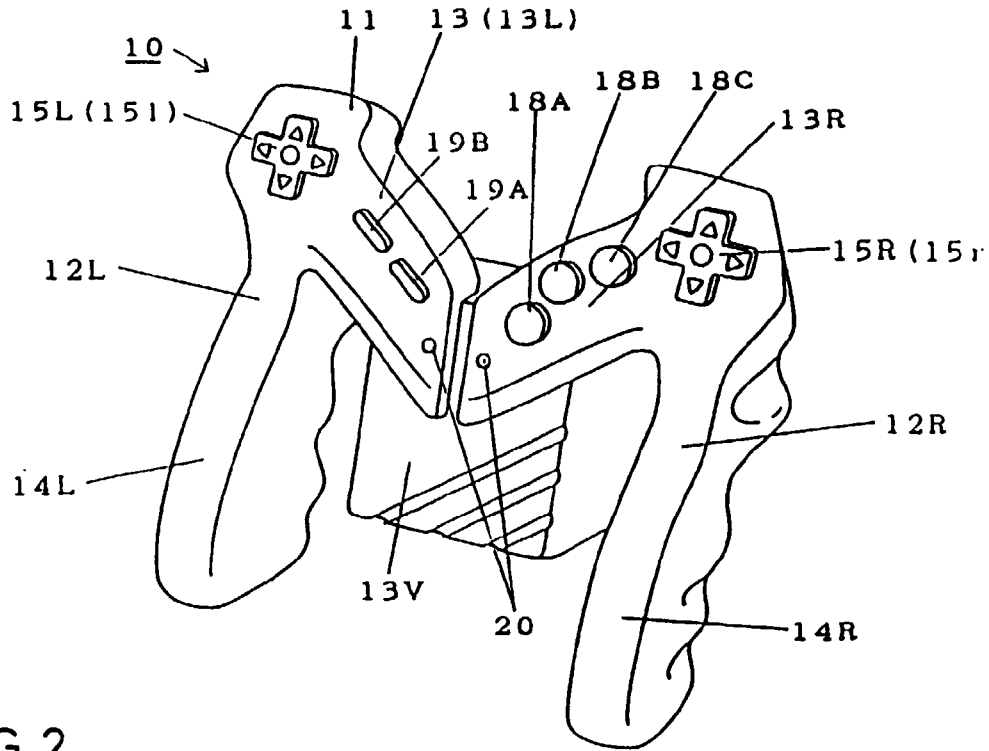


FIG.2

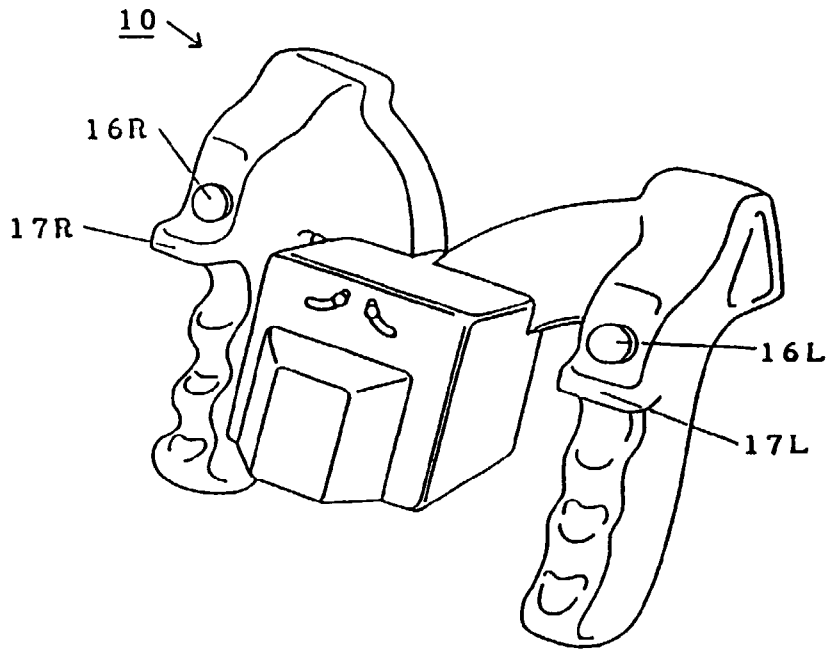


FIG.3

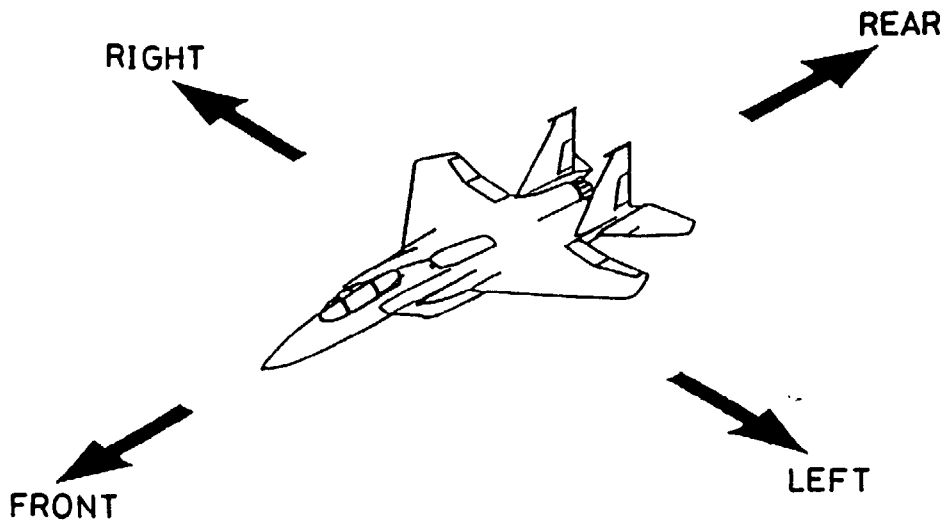


FIG.4

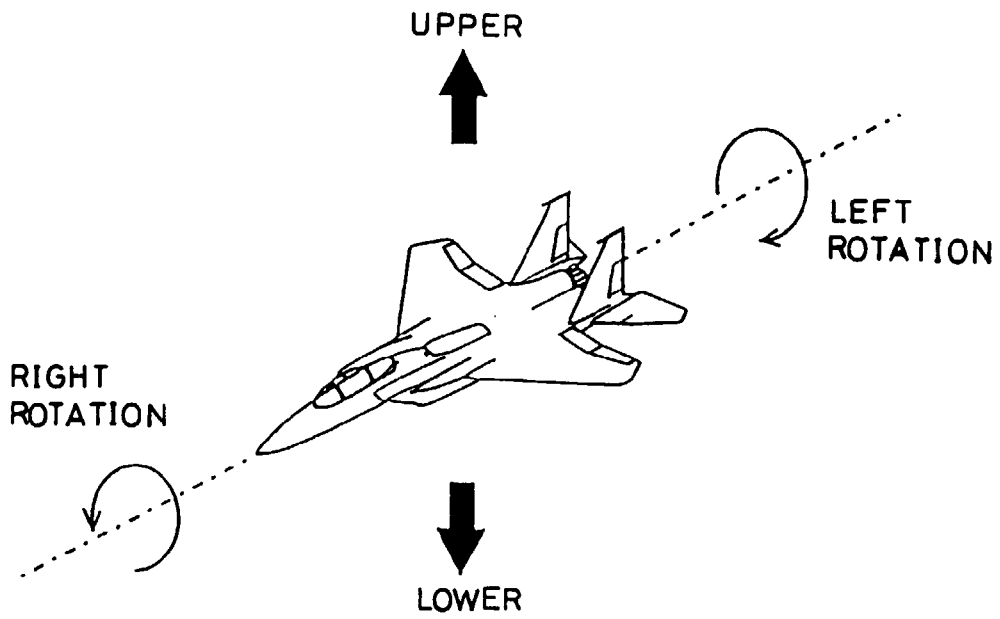


FIG. 5

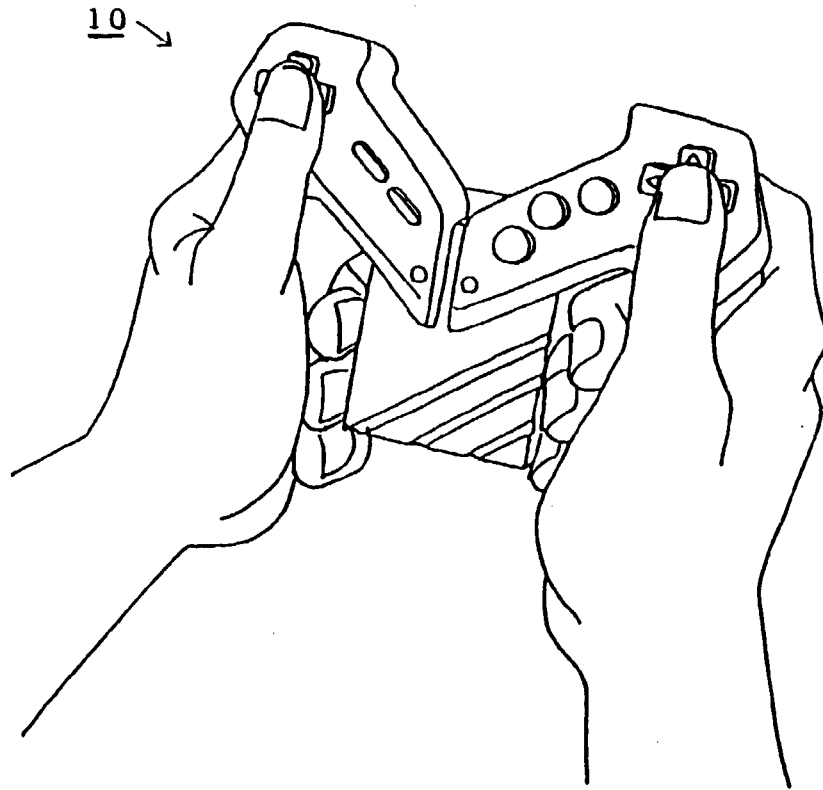


FIG. 6

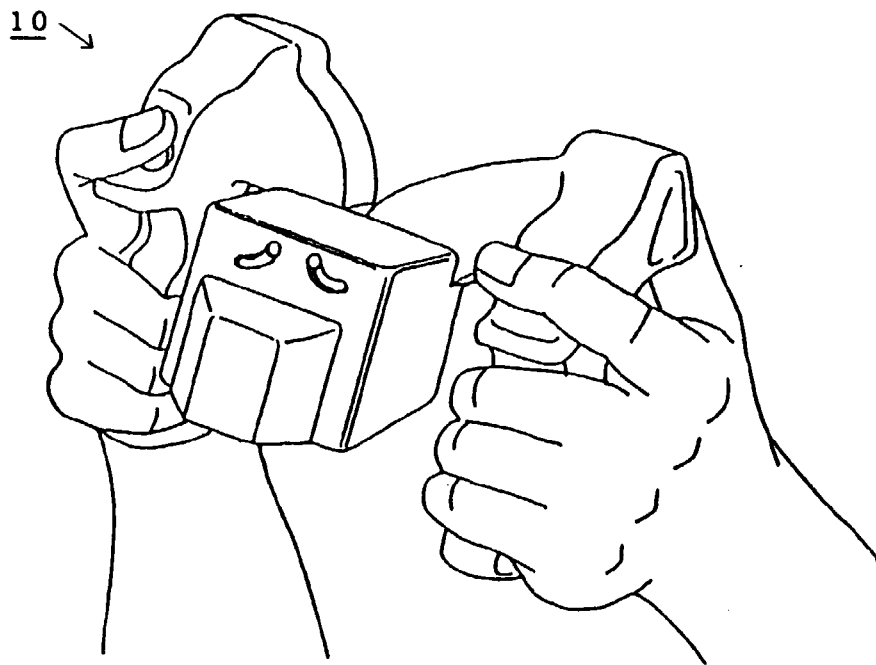


FIG. 7

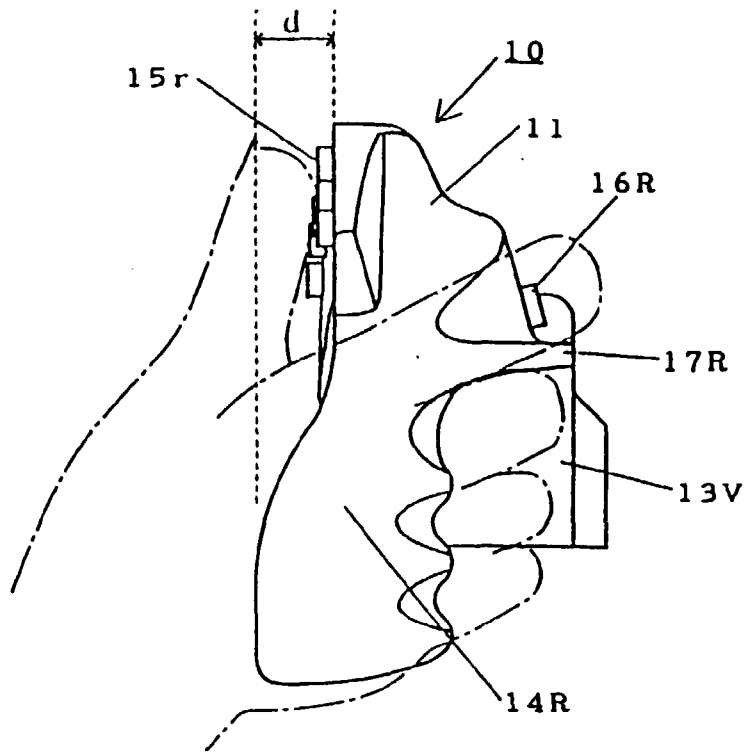


FIG. 8

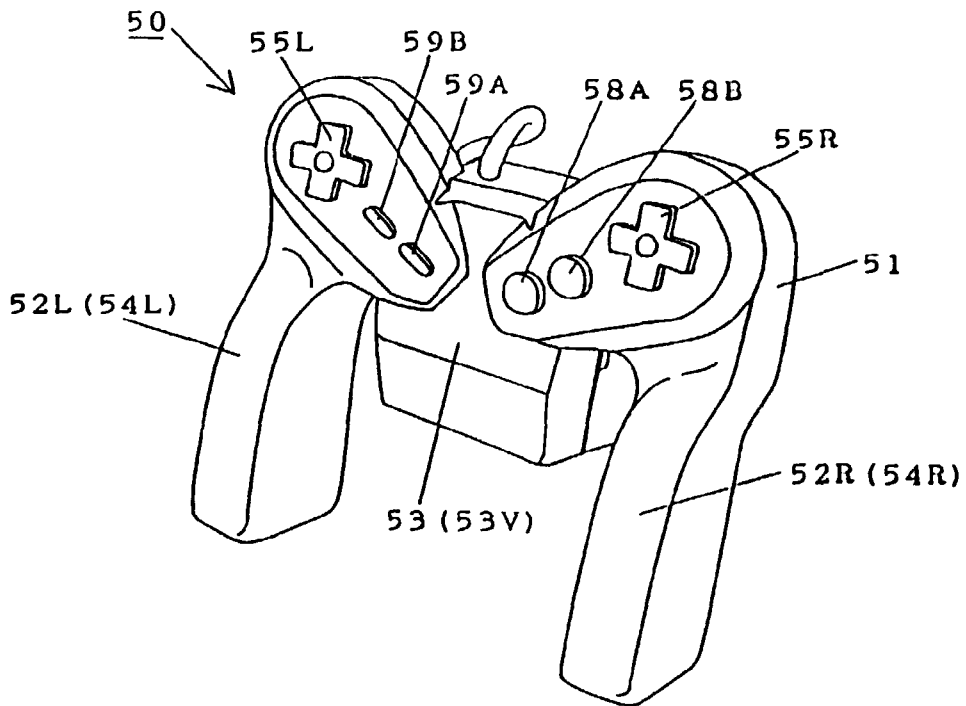


FIG.9

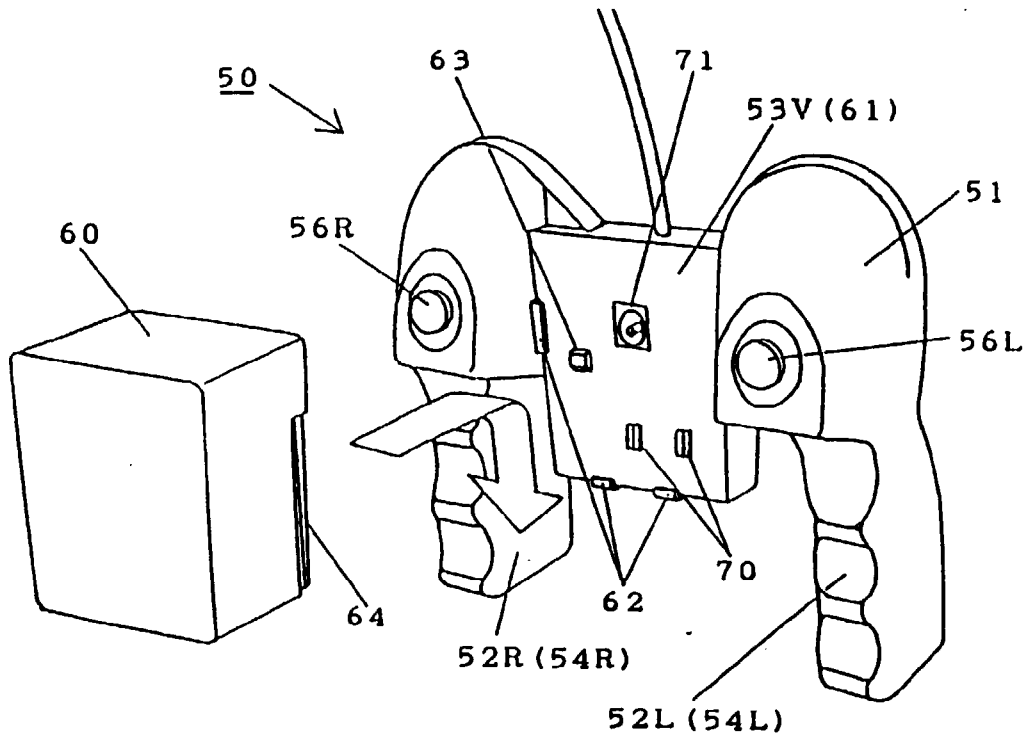
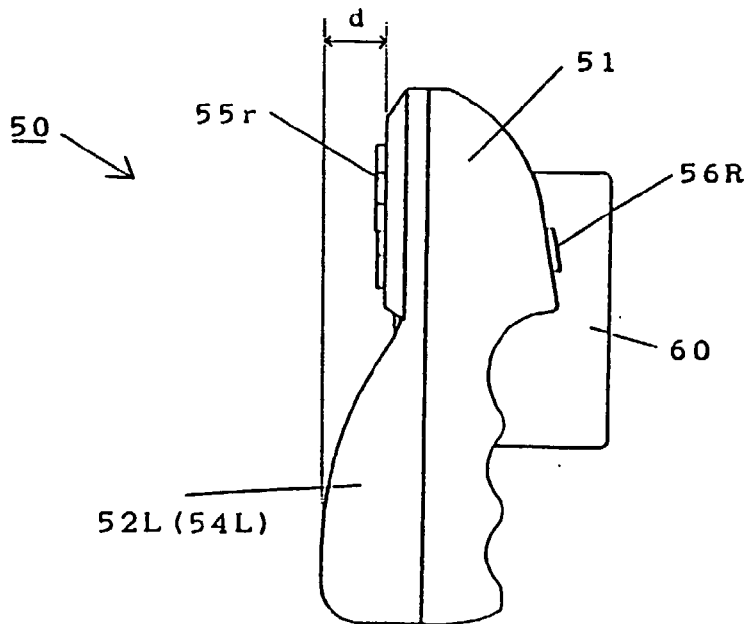


FIG.10





European Patent
Office

EUROPEAN SEARCH REPORT

Application Number
EP 99 20 2909

DOCUMENTS CONSIDERED TO BE RELEVANT				
Category	Citation of document with indication, where appropriate, of relevant passages	Relevant to claim	CLASSIFICATION OF THE APPLICATION (Int.Cl.6)	
X	US 4 976 429 A (NAGEL) 11 December 1990 (1990-12-11)	4-9	G06K11/18 A63F9/22	
Y	* column 2, line 17 - column 3, line 4 * * column 5, line 42 - column 6, line 3; figure 1 *	1-3		
A	--- EP 0 470 615 A (NINTENDO) 12 February 1992 (1992-02-12) * column 5, line 12 - line 15 *	1,3,4,7		
D	& US 5 207 426 A			
A	--- GB 2 244 546 A (PRIMAX ELECTRONICS) 4 December 1991 (1991-12-04) * claim 1; figure 3A *	1-6		
A	--- WO 92 09347 A (SHATFORD ET AL) 11 June 1992 (1992-06-11) * page 11, line 2 - page 12, line 3; figure 1 *	4		
A	--- WO 94 12999 A (GODDARD) 9 June 1994 (1994-06-09) * page 5, paragraph 2; figures *	2,4		TECHNICAL FIELDS SEARCHED (Int.Cl.6)
E	--- EP 0 710 496 A (SEGA ENTERPRISES KK) 8 May 1996 (1996-05-08) * column 10, line 28 - line 41; figures 2,3,5,19,23 *	1-3		A63F G06K
Y	--- FR 2 613 850 A (SONY CORP) 14 October 1988 (1988-10-14) * page 11, line 35 - page 12, line 30; figure 5 *	1-3		
A	--- US 4 969 647 A (MORSE DAVID S ET AL) 13 November 1990 (1990-11-13) * column 6, line 29 - line 53; figure 1 *	1-4,8,9		
The present search report has been drawn up for all claims				
Place of search		Date of completion of the search	Examiner	
BERLIN		9 November 1999	Durand, J	
CATEGORY OF CITED DOCUMENTS				
X : particularly relevant if taken alone		T : theory or principle underlying the invention		
Y : particularly relevant if combined with another document of the same category		E : earlier patent document, but published on, or after the filing date		
A : technological background		D : document cited in the application		
O : non-written disclosure		L : document cited for other reasons		
P : intermediate document		& : member of the same patent family, corresponding document		

EPO FORM 1503 03 82 (P04C01)

ANNEX TO THE EUROPEAN SEARCH REPORT
ON EUROPEAN PATENT APPLICATION NO.

EP 99 20 2909

This annex lists the patent family members relating to the patent documents cited in the above-mentioned European search report. The members are as contained in the European Patent Office EDP file on
The European Patent Office is in no way liable for these particulars which are merely given for the purpose of information.

09-11-1999

Patent document cited in search report		Publication date	Patent family member(s)	Publication date
US 4976429	A	11-12-1990	NONE	
EP 470615	A	12-02-1992	AU 645462 B AU 8142991 A CA 2048167 A,C CN 1058728 A DE 69114400 D DE 69114400 T ES 2079529 T GB 2247107 A,B HK 30195 A KR 9705724 Y MX 9100564 A SG 8095 G US 5207426 A	13-01-1994 13-02-1992 10-02-1992 19-02-1992 14-12-1995 27-06-1996 16-01-1996 19-02-1992 17-03-1995 11-06-1997 01-04-1992 16-06-1995 04-05-1993
GB 2244546	A	04-12-1991	NONE	
WO 9209347	A	11-06-1992	US 4976435 A	11-12-1990
WO 9412999	A	09-06-1994	AU 5846094 A EP 0628210 A	22-06-1994 14-12-1994
EP 0710496	A	08-05-1996	JP 8187359 A BR 9506241 A DE 69507767 D DE 69507767 T WO 9532038 A	23-07-1996 12-08-1997 25-03-1999 02-09-1999 30-11-1995
FR 2613850	A	14-10-1988	JP 2615607 B JP 63250031 A DE 3811672 A ES 2007181 A GB 2204387 A,B KR 9609821 B US 5012230 A	04-06-1997 17-10-1988 27-10-1988 01-06-1989 09-11-1988 24-07-1996 30-04-1991
US 4969647	A	13-11-1990	AU 5821990 A JP 4507205 T WO 9014871 A	07-01-1991 17-12-1992 13-12-1990

EPO FORM P0459

For more details about this annex : see Official Journal of the European Patent Office, No. 12/82