

**United States Patent** [19]

Sugino et al.

[11] **Patent Number:** **Des. 381,623**[45] **Date of Patent:** **\*\*Jul. 29, 1997**[54] **CONVERTER**[75] Inventors: **Kenichi Sugino; Tomoyoshi Tanaka,**  
both of Kyoto, Japan[73] Assignee: **Nintendo Co., Ltd.,** Japan[\*\*] Term: **14 Years**[21] Appl. No.: **43,153**[22] Filed: **Aug. 28, 1995**[30] **Foreign Application Priority Data**

Mar. 3, 1995 [JP] Japan ..... 7-9034

[51] **LOC (6) Cl.** ..... **13-02**[52] **U.S. Cl.** ..... **D13/110**[58] **Field of Search** ..... D13/110; 307/150;  
363/15, 34, 140, 144, 141, 146; 361/622,  
709, 714, 717, 722, 724-727[56] **References Cited****U.S. PATENT DOCUMENTS**

D. 337,984 8/1993 Lindahl ..... D13/103

*Primary Examiner*—Antoine Duval Davis*Attorney, Agent, or Firm*—Nixon & Vanderhye P.C.[57] **CLAIM**

The ornamental design for a "converter", as shown and described.

**DESCRIPTION**

FIG. 1 is a right front perspective view of the converter in accordance with my new design;

FIG. 2 is a rear elevation view thereof;

FIG. 3 is a top plan view thereof;

FIG. 4 is a right side elevation view of the converter as viewed in FIG. 3;

FIG. 5 is a bottom plan view thereof;

FIG. 6 is a front elevation view thereof;

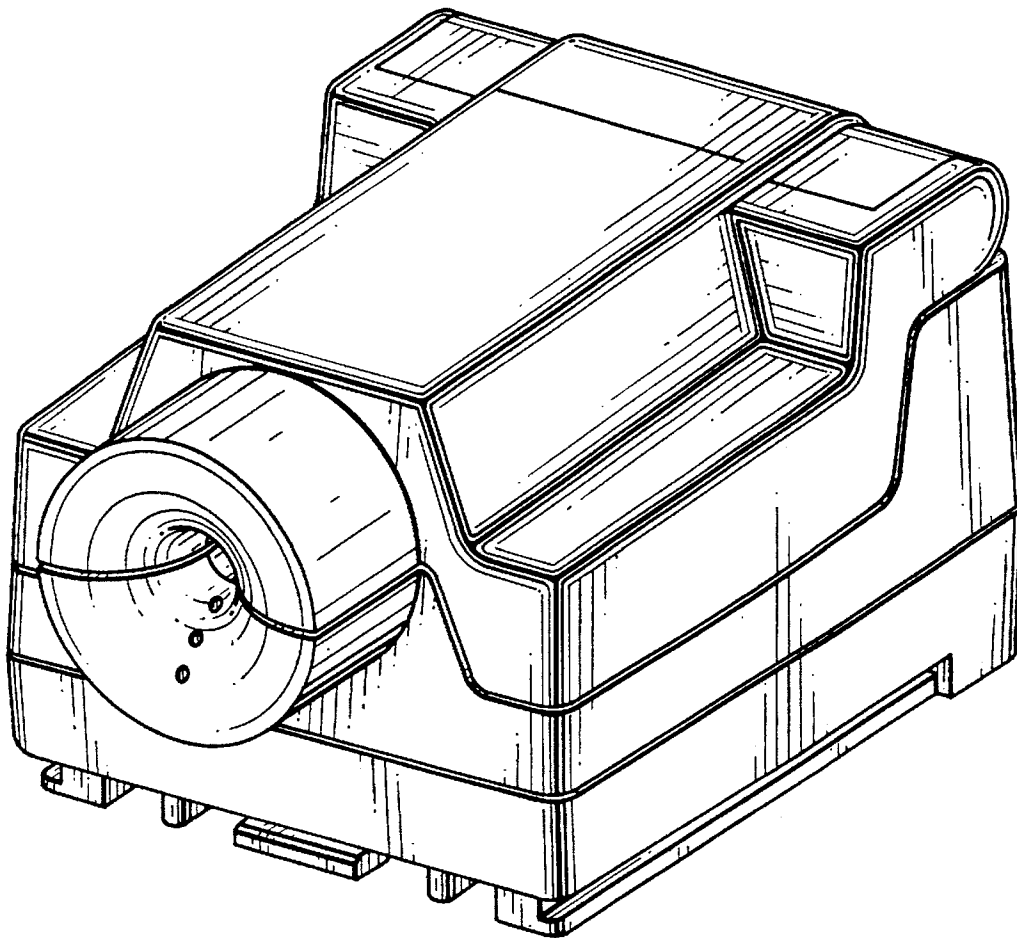
FIG. 7 is a rear elevation view of the converter shown in FIG. 1 but with the top half of the converter rotated 180° to an open position;

FIG. 8 is a top plan view of the converter in an open position;

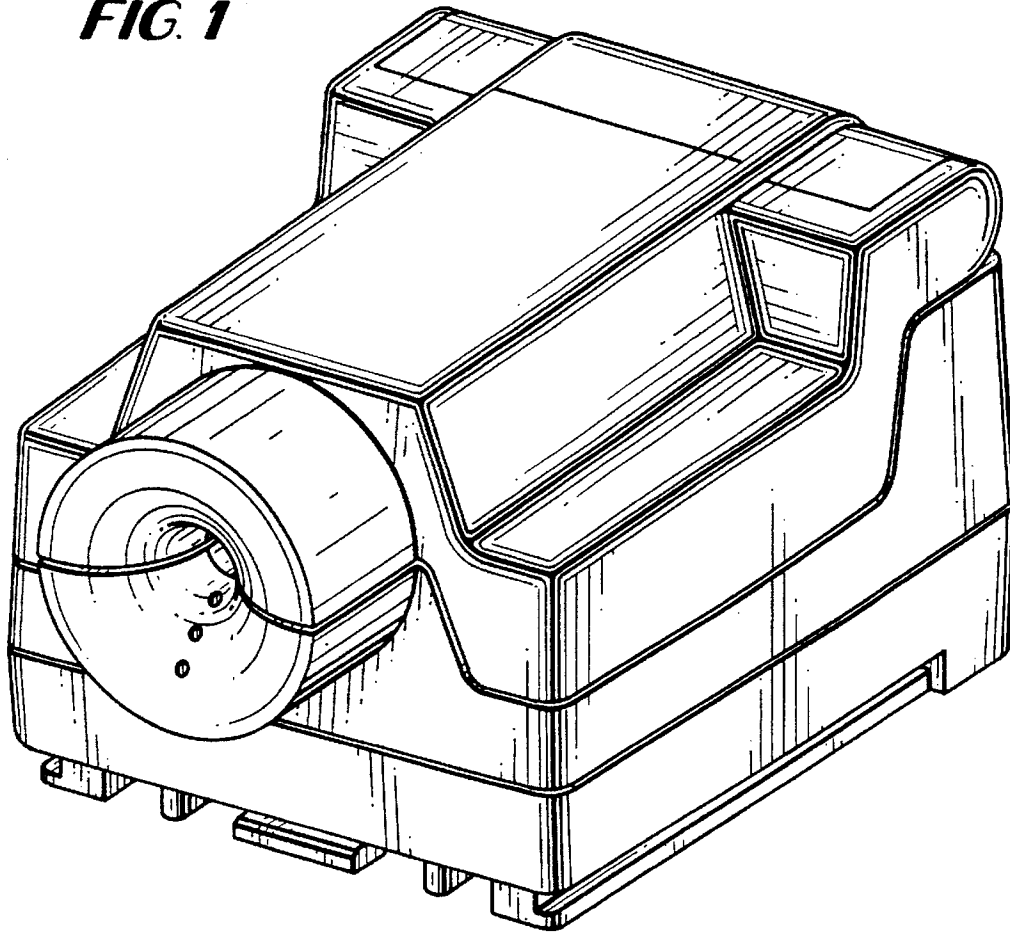
FIG. 9 is a right side elevation view of the converter as shown in FIG. 8;

FIG. 10 is a bottom plan view of the converter in an open position; and,

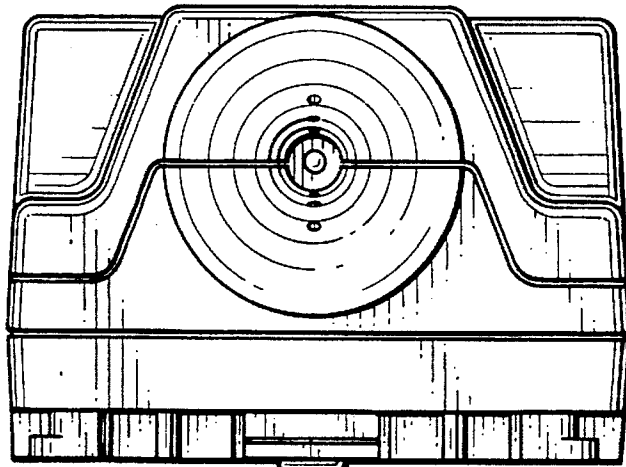
FIG. 11 is a front elevation of the converter in an open position.

**1 Claim, 7 Drawing Sheets**

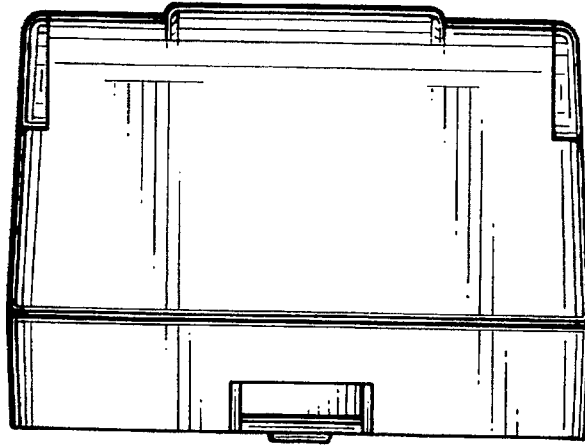
**FIG. 1**



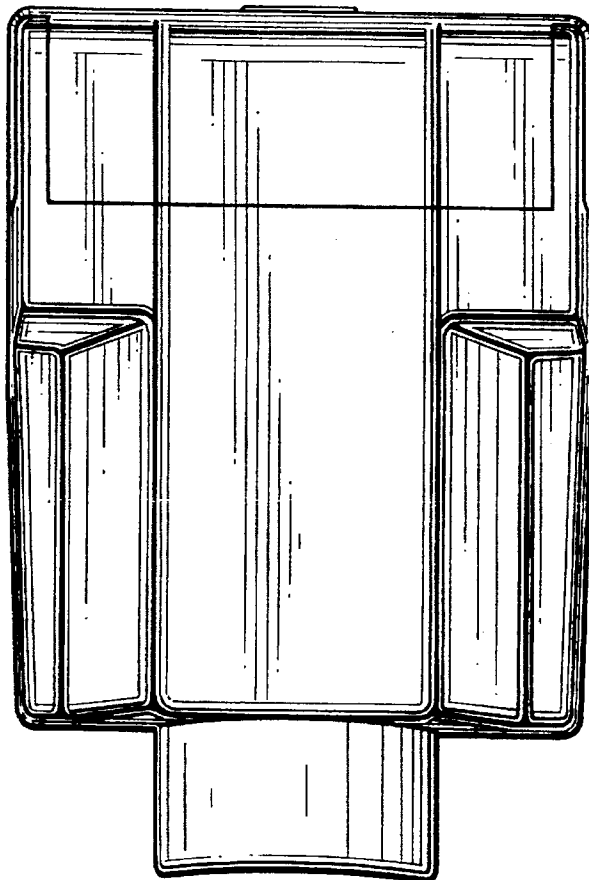
**FIG. 6**



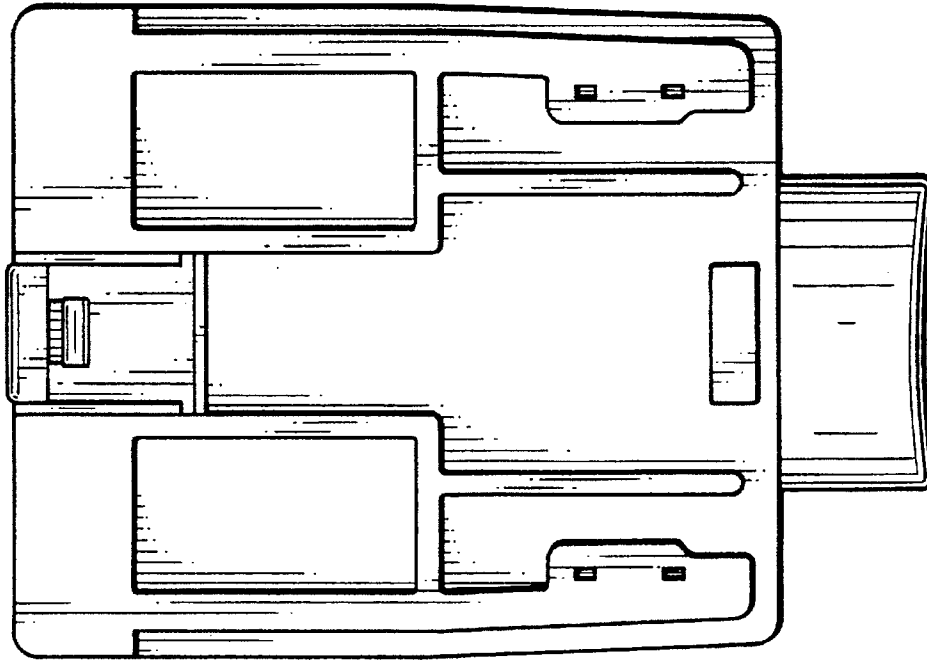
**FIG. 2**



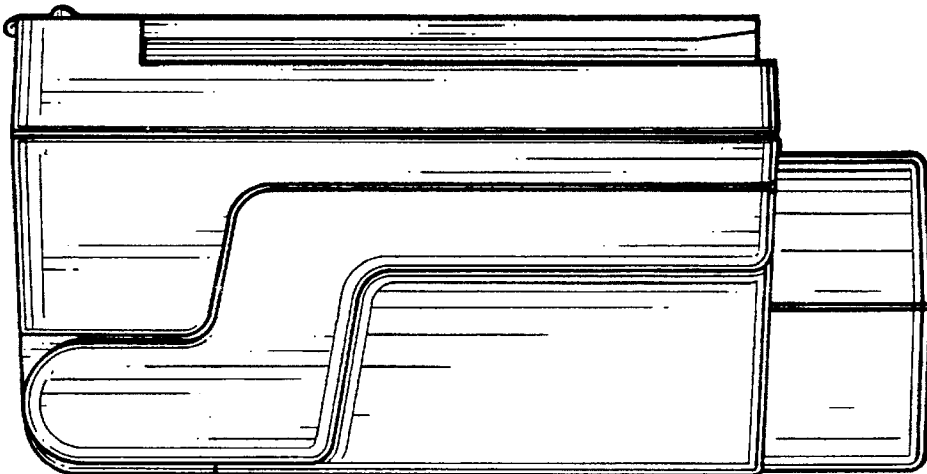
**FIG. 3**



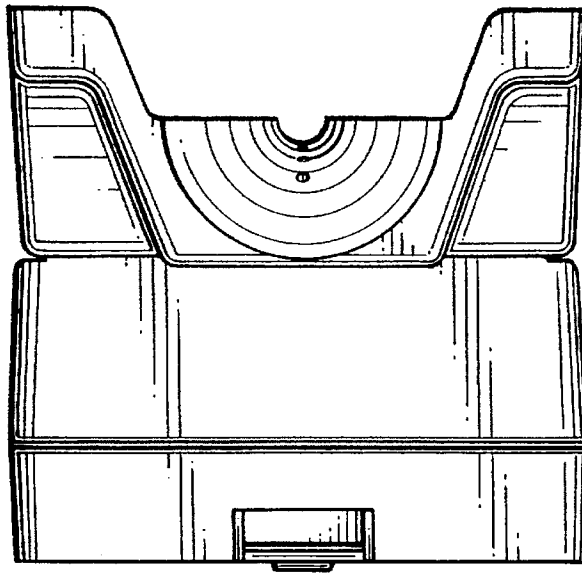
**FIG. 5**



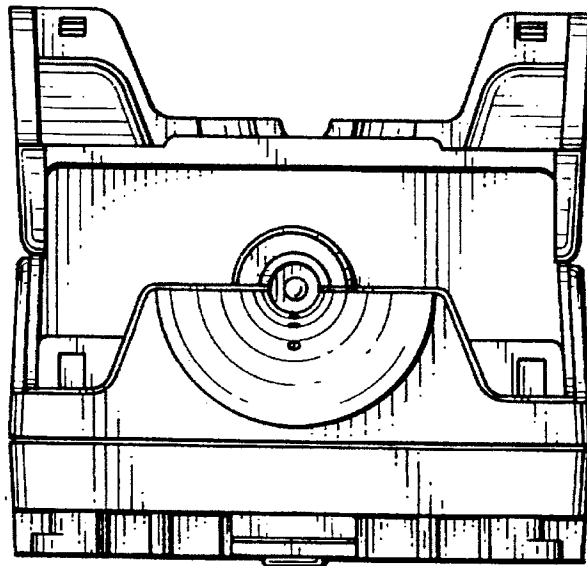
**FIG. 4**



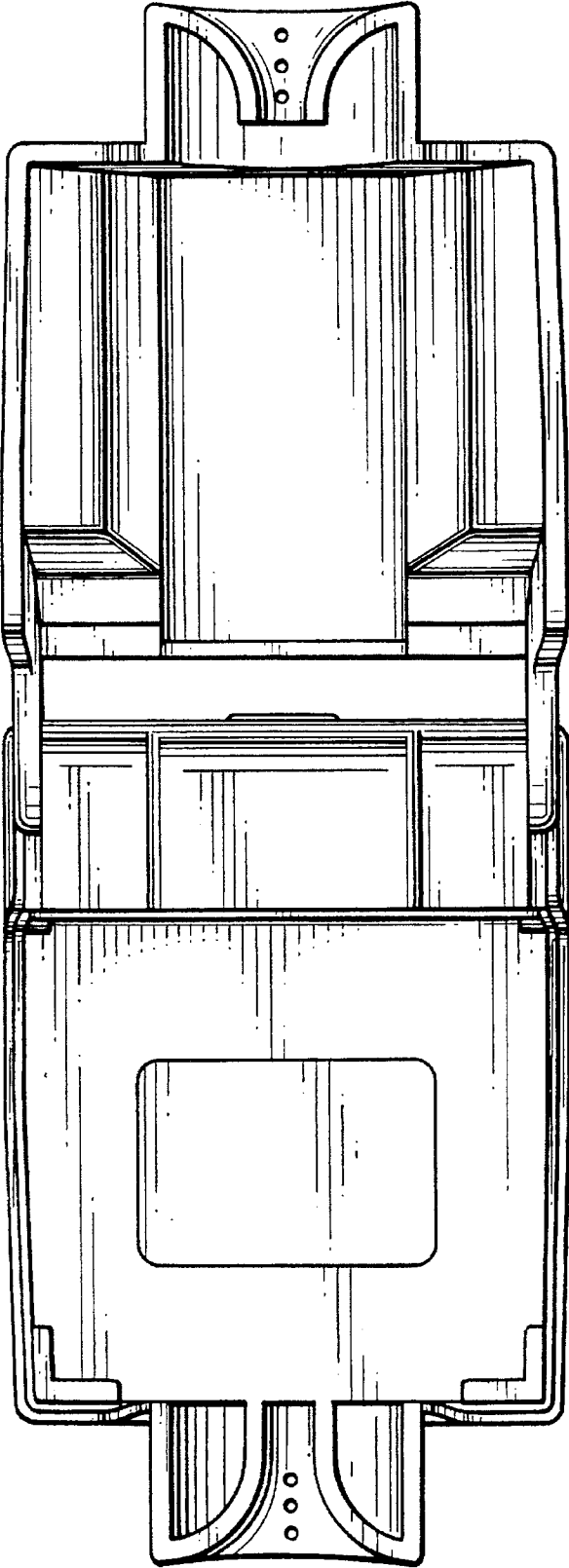
*FIG. 7*

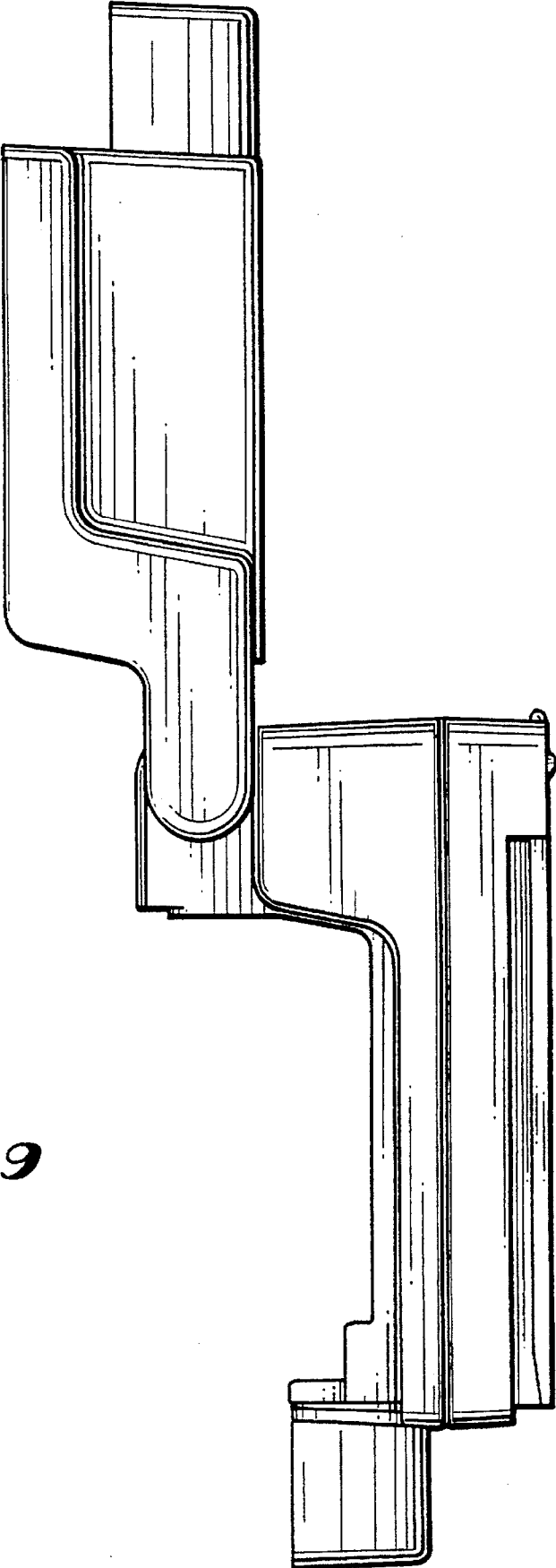


*FIG. 11*



*FIG. 8*





**FIG. 9**

**FIG. 10**

