



[54] GAME MACHINE

5,184,830 2/1993 Okada et al. D21/13 X
5,192,082 3/1993 Inoue et al. 463/44

[75] Inventors: Gunpei Yokoi; Masuru Okada; Ichiro Shirai; Kenichi Sugino; Noboru Wakitani, all of Kyoto, Japan

Primary Examiner—Prabhakar G. Deshmukh
Attorney, Agent, or Firm—Nixon & Vanderhye P.C.

[73] Assignee: Nintendo of America, Inc., Redmond, Wash.

[57] CLAIM

[**] Term: 14 Years

The ornamental design for a “game machine,” as shown and described.

[21] Appl. No.: 39,779

DESCRIPTION

[22] Filed: May 1, 1996

FIG. 1 is a top right rear perspective of a game machine in accordance with a first embodiment of our new design; FIG. 2 is a top left front perspective of the embodiment shown in FIG. 1;

[30] Foreign Application Priority Data

Nov. 11, 1994	[JP]	Japan	6-34523
Nov. 11, 1994	[JP]	Japan	6-34526
Nov. 11, 1994	[JP]	Japan	6-34527
Apr. 25, 1995	[JP]	Japan	7-11890

FIG. 3 is a plan view thereof;

FIG. 4 is a rear elevation view thereof;

FIG. 5 is a front elevation view thereof;

FIG. 6 is a bottom plan view thereof;

FIG. 7 is a left side elevation thereof; and

FIG. 8 is a right side elevation thereof;

FIG. 9 is a top plan view of a game machine in accordance with a second embodiment of our new design;

FIG. 10 is a rear elevation view thereof;

FIG. 11 is a bottom plan view thereof;

FIG. 12 is a front elevation view thereof;

FIG. 13 is a left side view thereof;

FIG. 14 is a right side view thereof;

FIG. 15 is a top left front perspective view thereof; and,

FIG. 16 is a top right rear perspective view thereof.

[51] LOC (6) Cl. 21-01

[52] U.S. Cl. D21/329

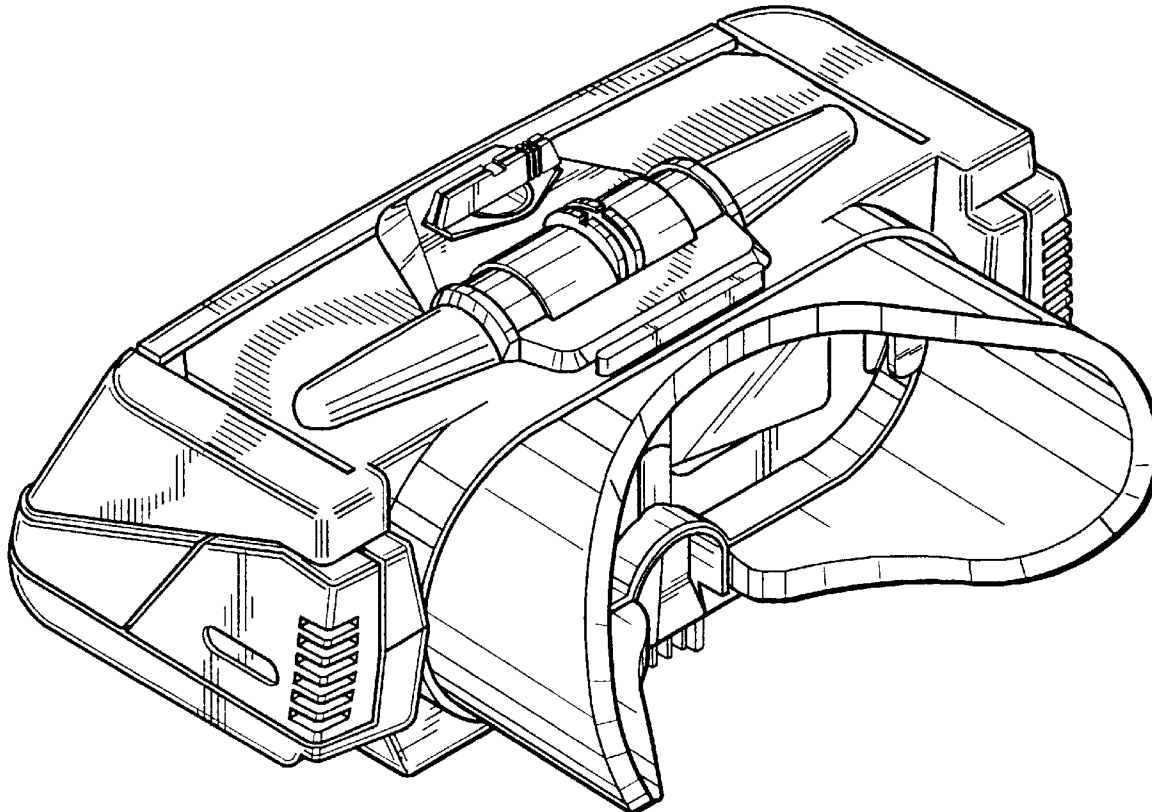
[58] Field of Search D21/1, 13, 48;
273/148 B; 463/1, 29-35, 46, 47, 40-43

[56] References Cited

U.S. PATENT DOCUMENTS

D. 352,329	11/1994	Takiya	D2113/13
D. 362,870	10/1995	Oikawa	D21/13
D. 366,285	1/1996	Tada	D21/48
D. 383,800	9/1997	Ishizaki et al.	D21/13 X

1 Claim, 8 Drawing Sheets



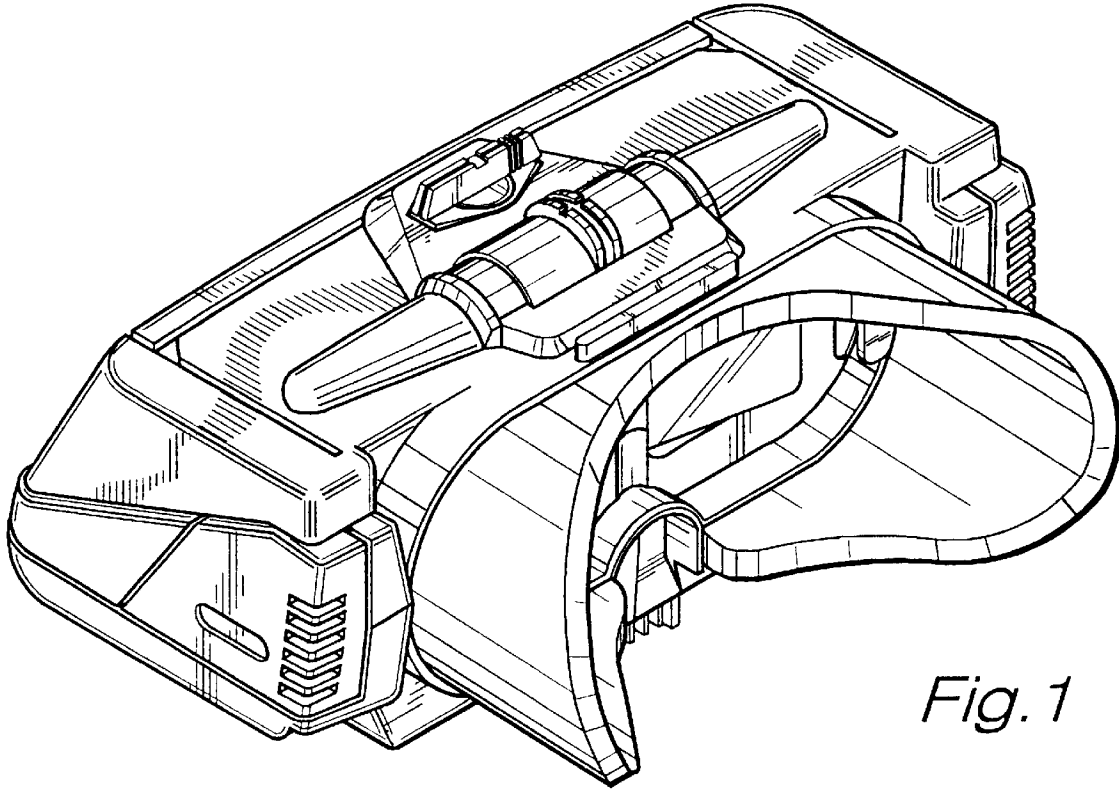


Fig. 1

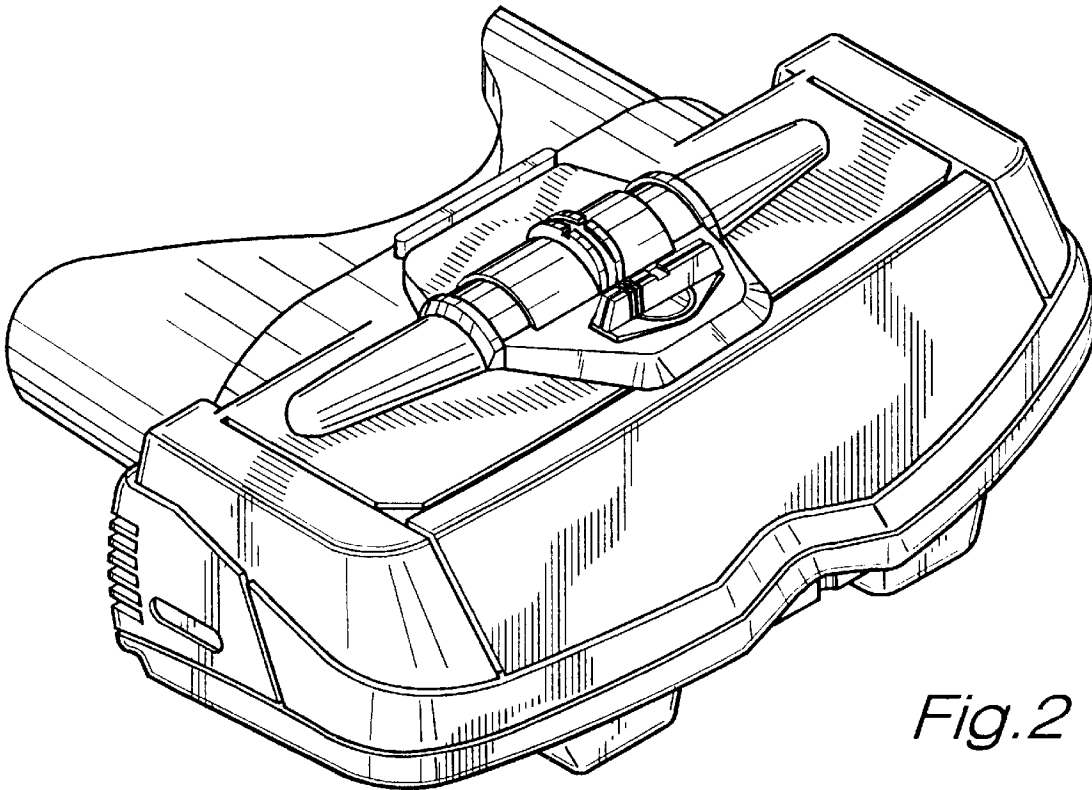


Fig. 2

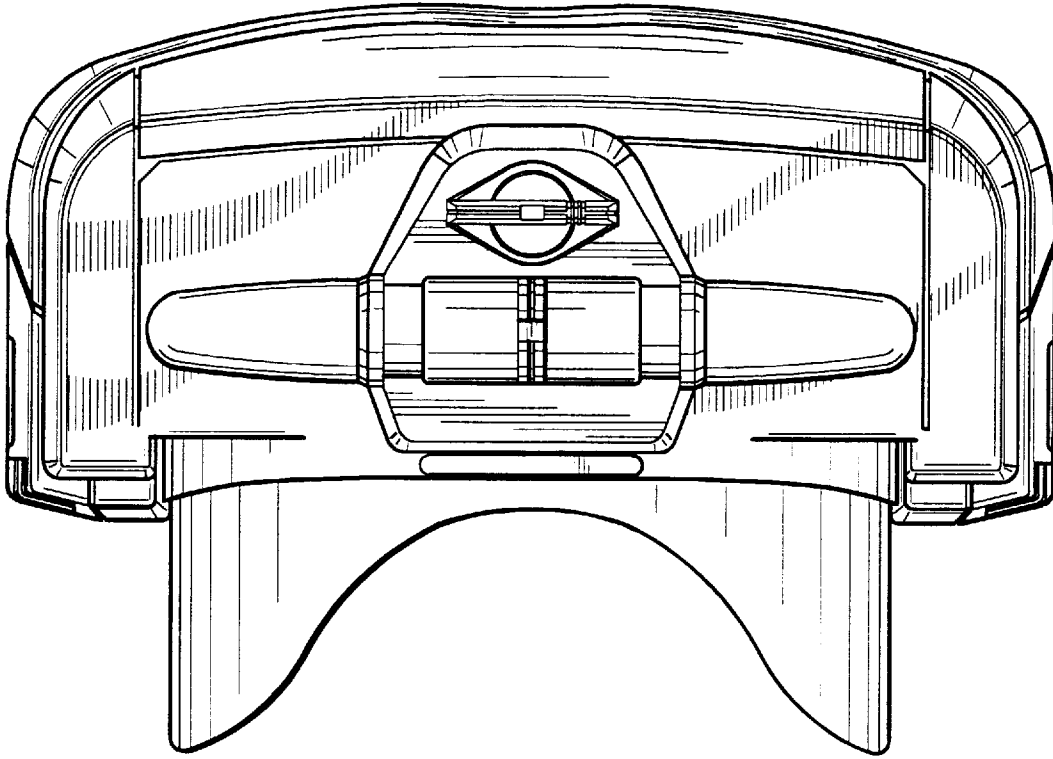


Fig.3

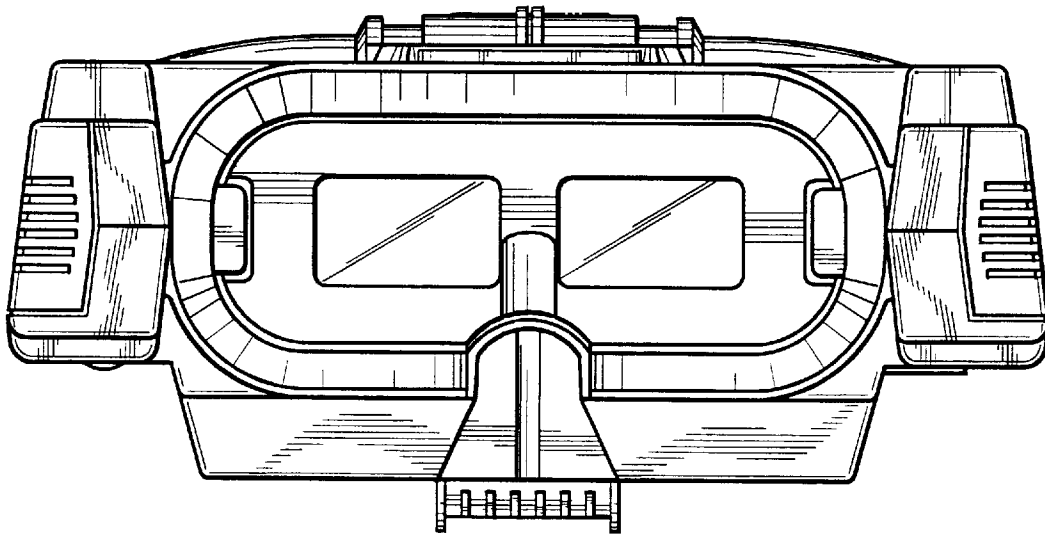


Fig4

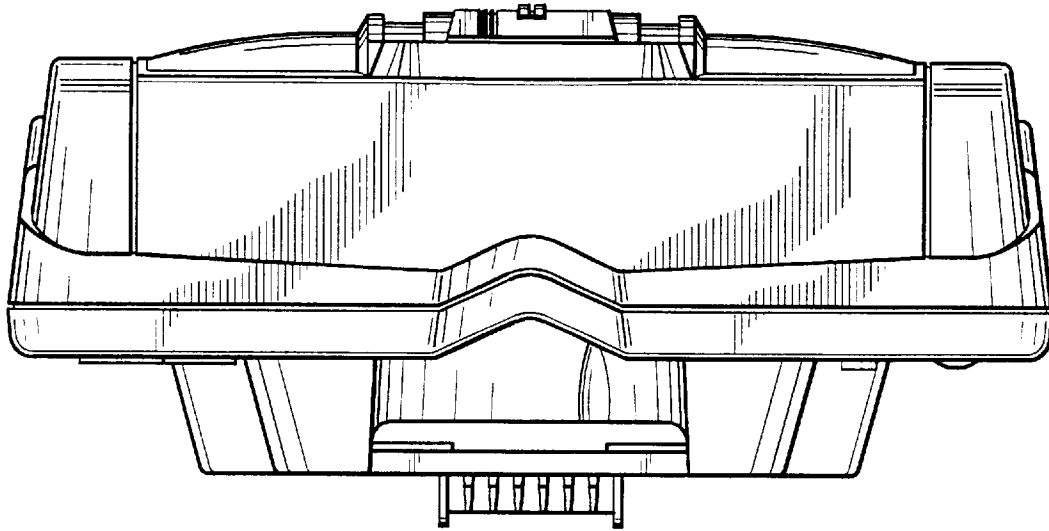


Fig. 5

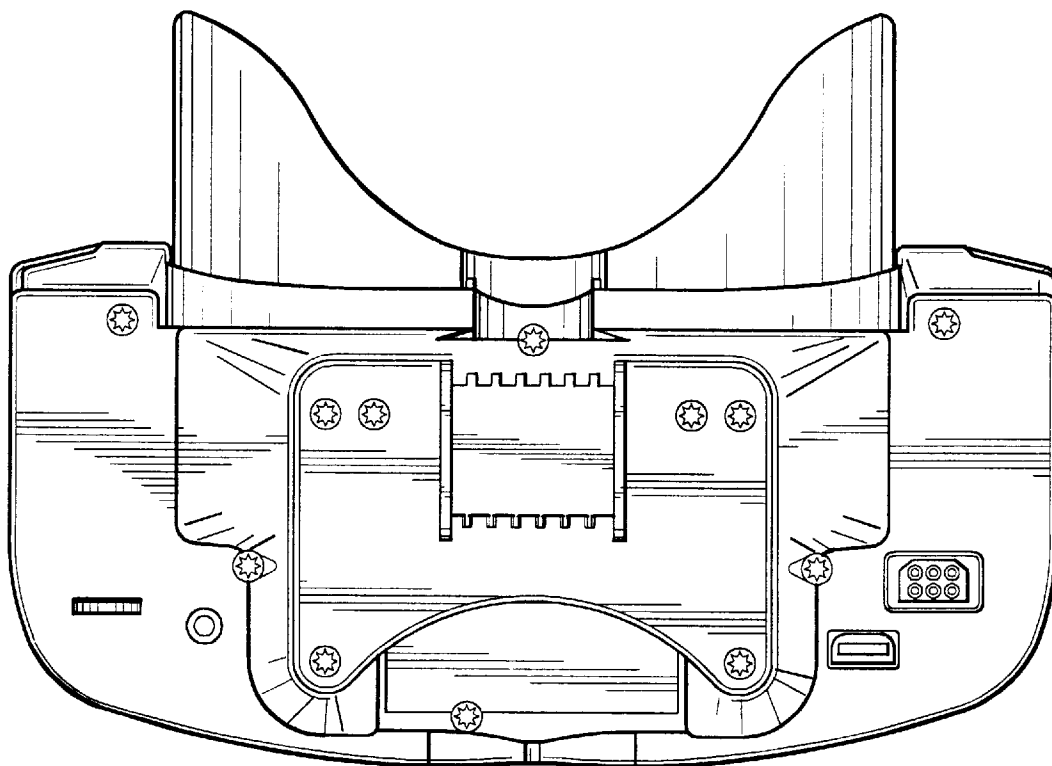


Fig. 6

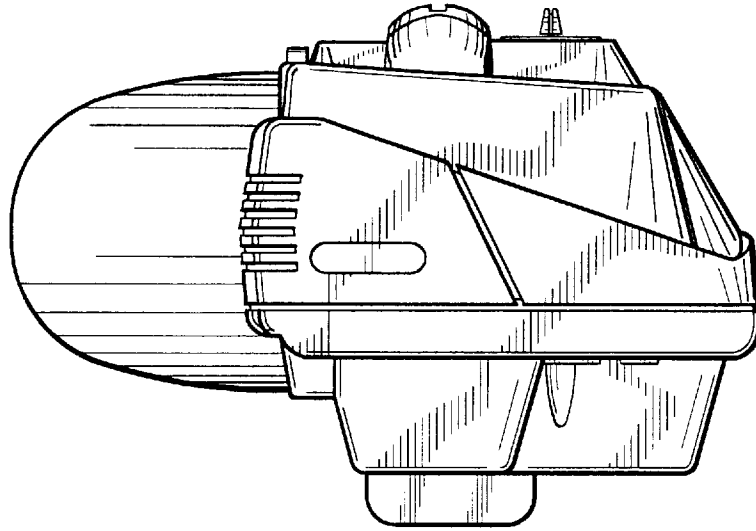


Fig. 7

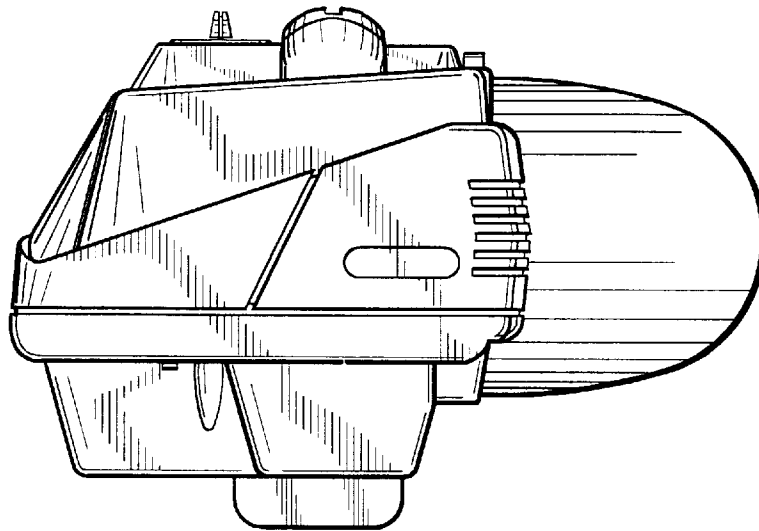


Fig. 8

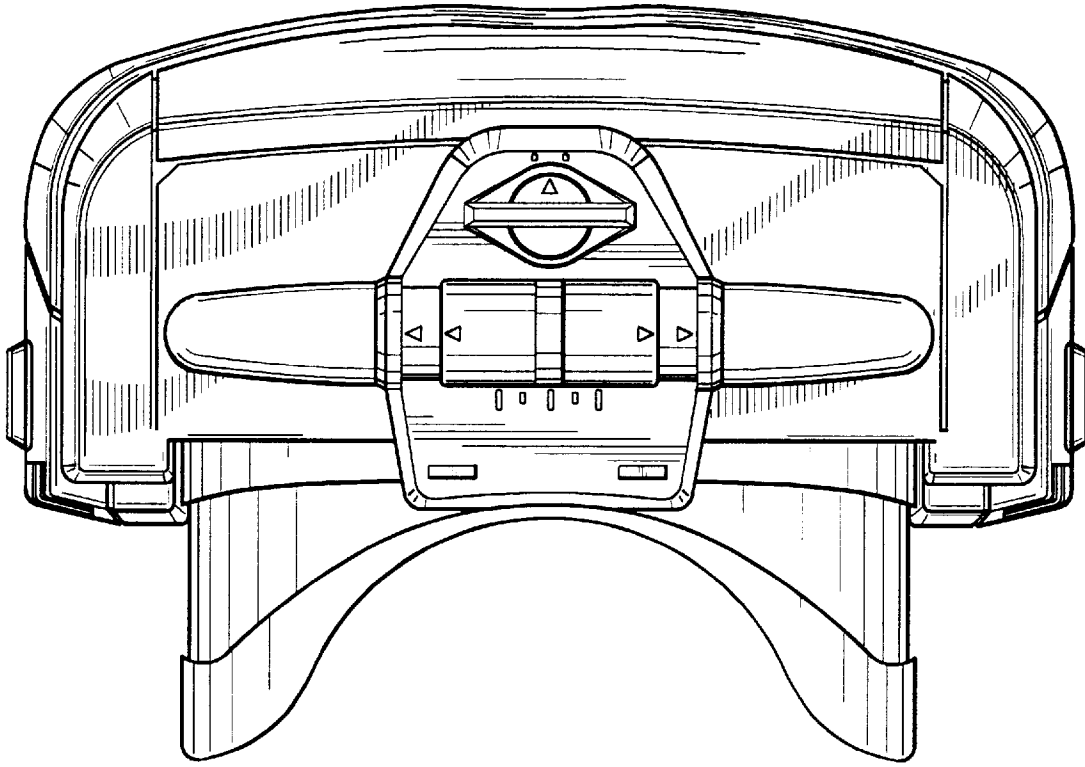


Fig. 9

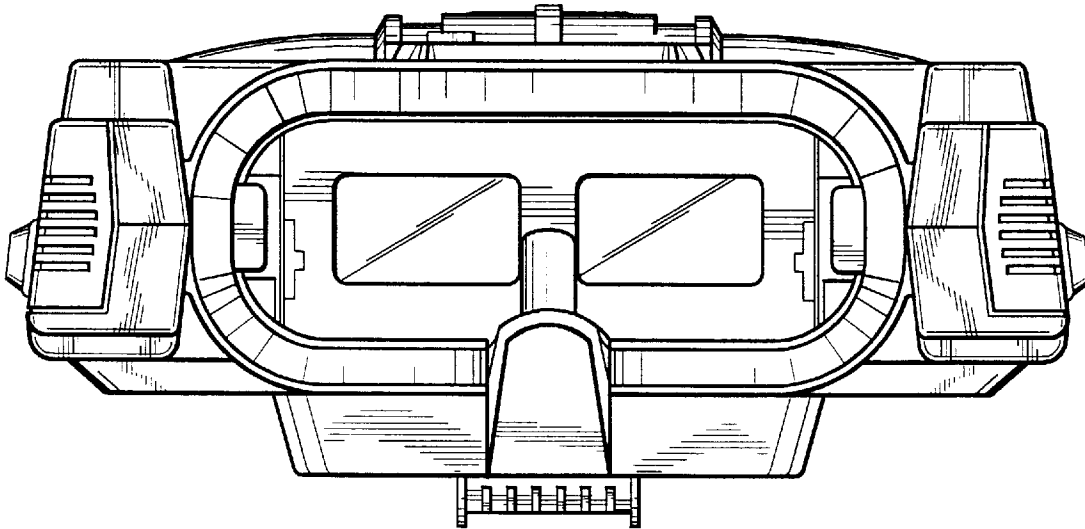


Fig. 10

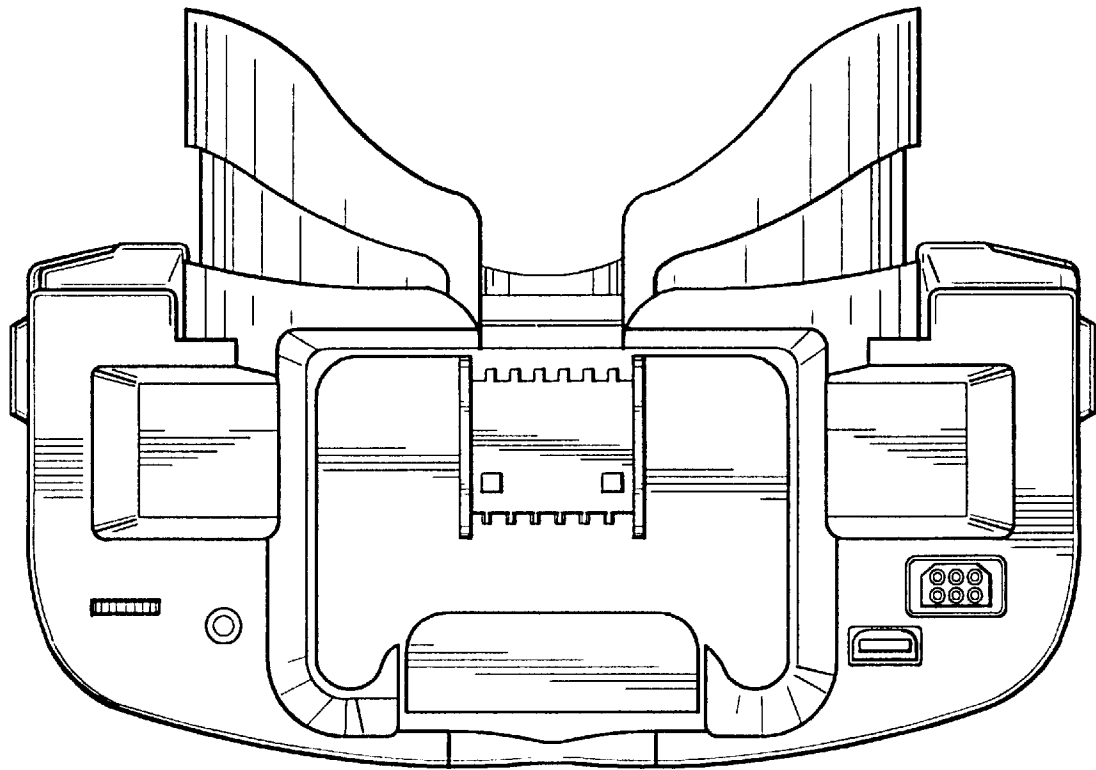


Fig. 11

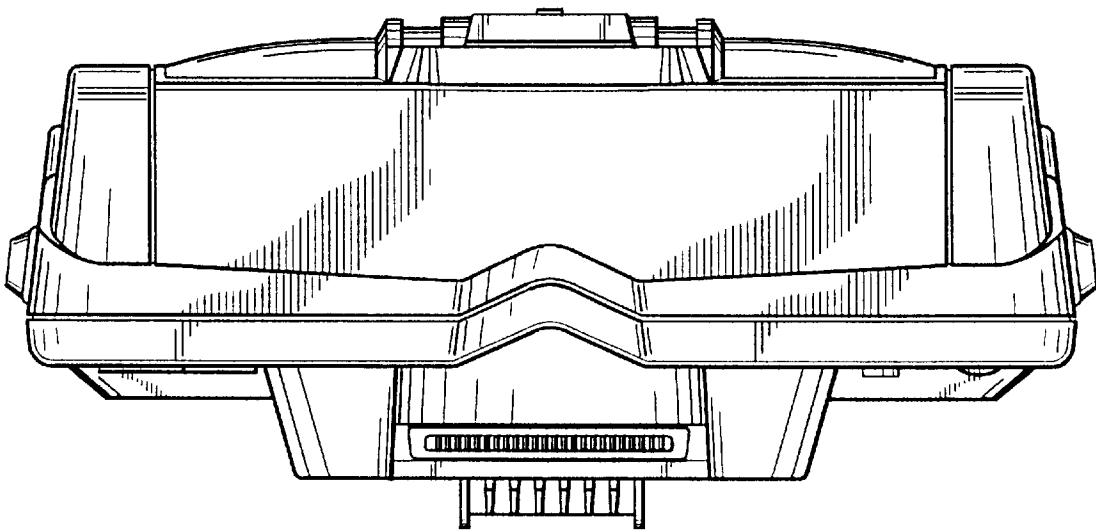


Fig. 12

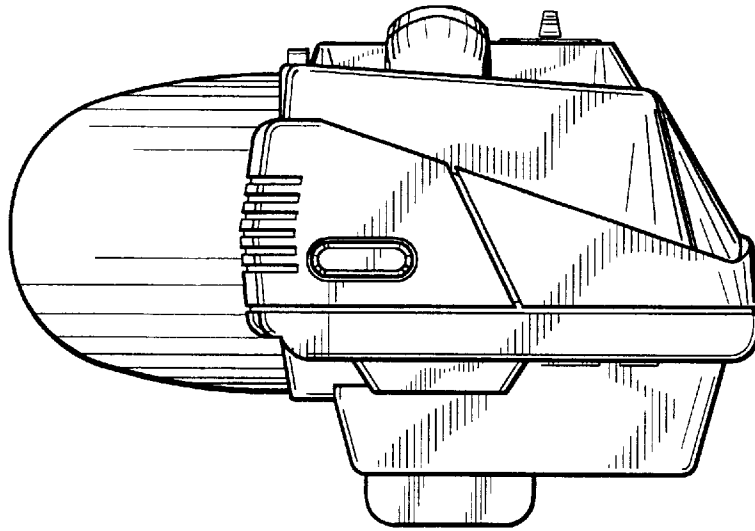


Fig. 13

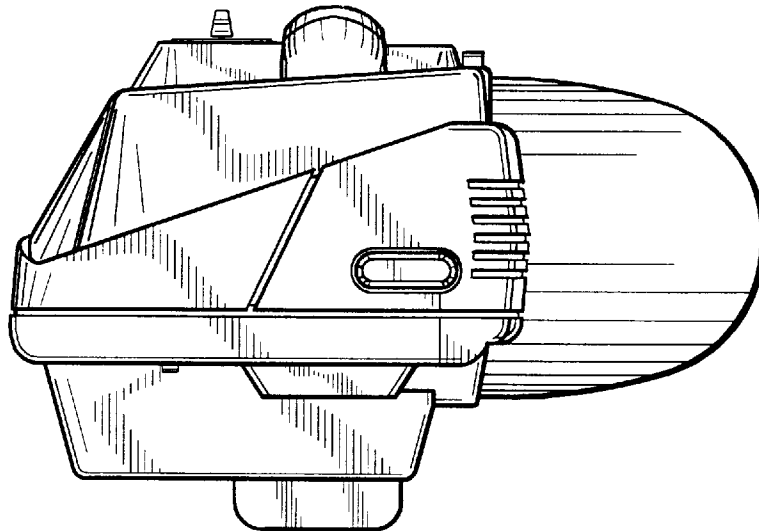


Fig. 14

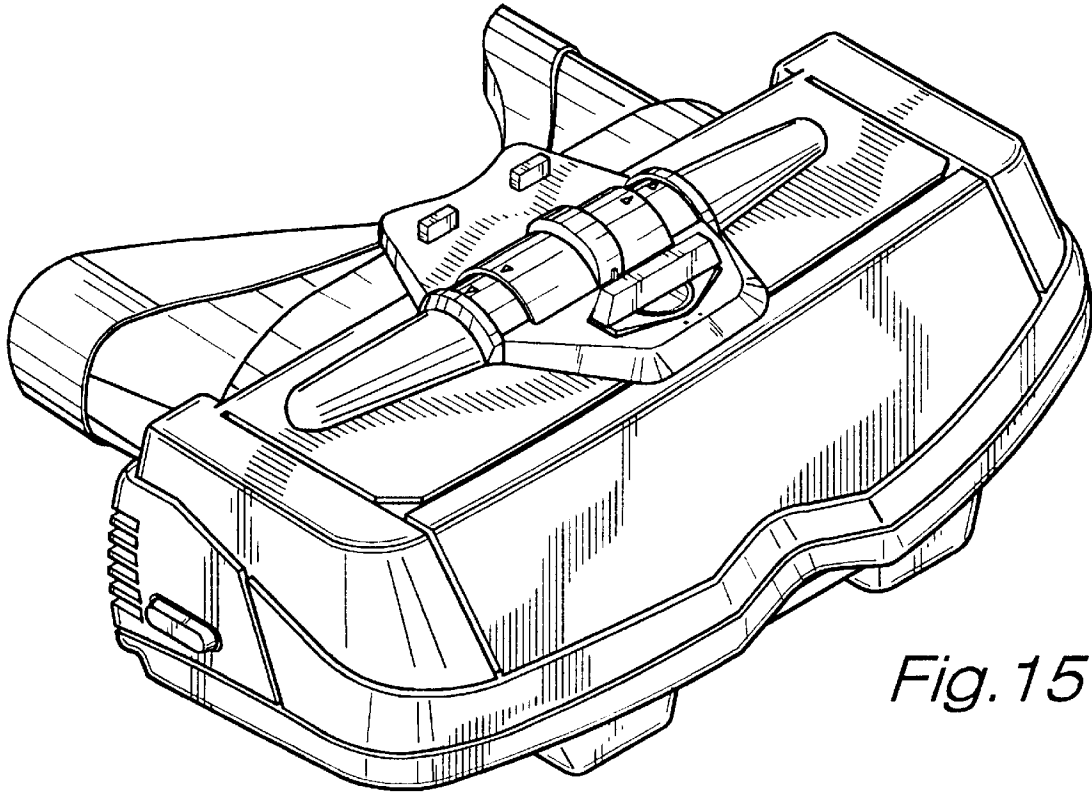


Fig. 15

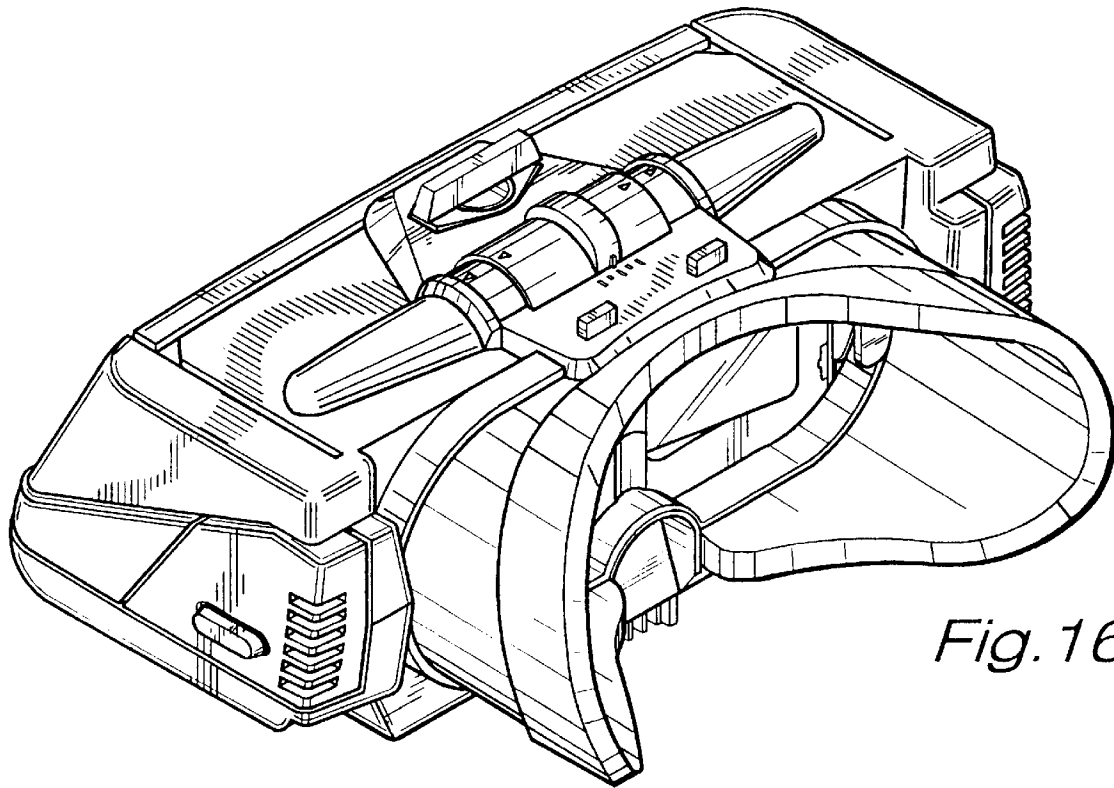


Fig. 16